

## FNC DD36 Series



### Features

- EN81-20 compatible
- 5 cm minimum object sensing
- Extremely dense protective field
- Wide operation range
- Robust operation range
- Simple mounting
- Virtually no alignment necessary
- Wide power supply range
- It can be installed in both static and dynamic locations.

### Technical data-Door Detector

Dimensions	12 x 28 x 2000 mm (C Profile) 12 x 31 x 2000 mm (L Profile)
Housing material	Aluminum
Detection range	0 - 4000 mm
Number of beams	174 Non-Parallel
Number of diodes	36
Detection height	1600 mm
Response time	300 ms
Operating temperature	-20...+65°C
Storage temperature	-20...+80°C
Power indicator	Red LED
Status indicator	LED in receiver Green on : working normal Red on : Fault
Light immunity	<100,000 Lux
Tolerance	Vertical : ±15 mm Horizontal : ±50 mm
Cables length(TX+RX)	4800 mm
Protection degree	IP54

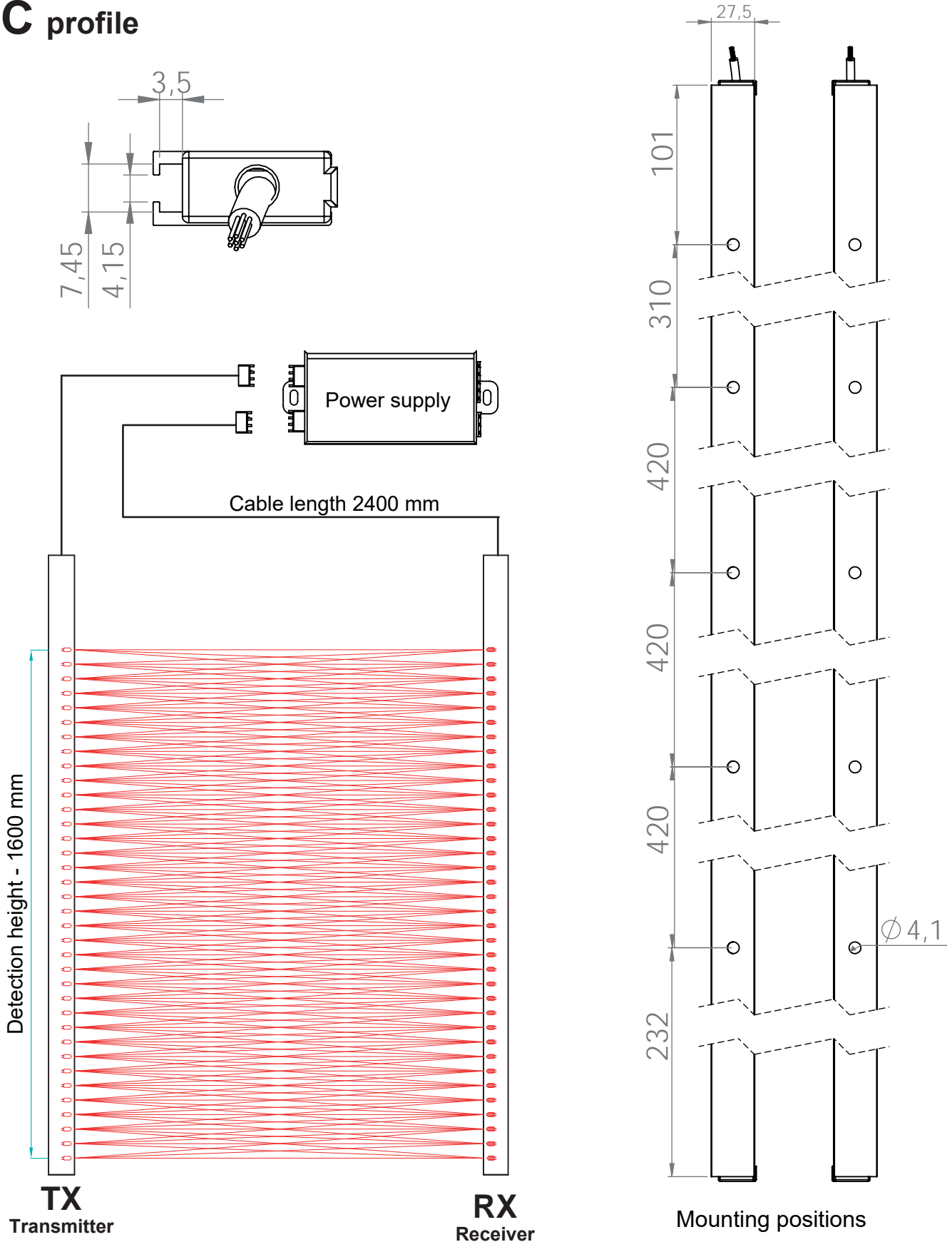
### Technical data-Power Unit

Dimensions	30 x 57 x 133 mm
Operating voltage	85-230 VAC 60 Hz (220V) 14-24 VDC (24V)
Housing material	ABS
Operating speed	3A - 120 VAC 1A - 250 VAC 3A - 24 VDC
Operating temperature	-20...+65°C
Storage temperature	-20...+85°C
Protection level	IP31
Isolation	>2000V
Relay life expectancy	operation 100,000
Output	Operational Relay (NO-NC) Nudging Relay (NO)
Power consumption	< 4W

### FNC DD36 Series

#### Mechanical Dimensions

#### C profile



# Doow detector

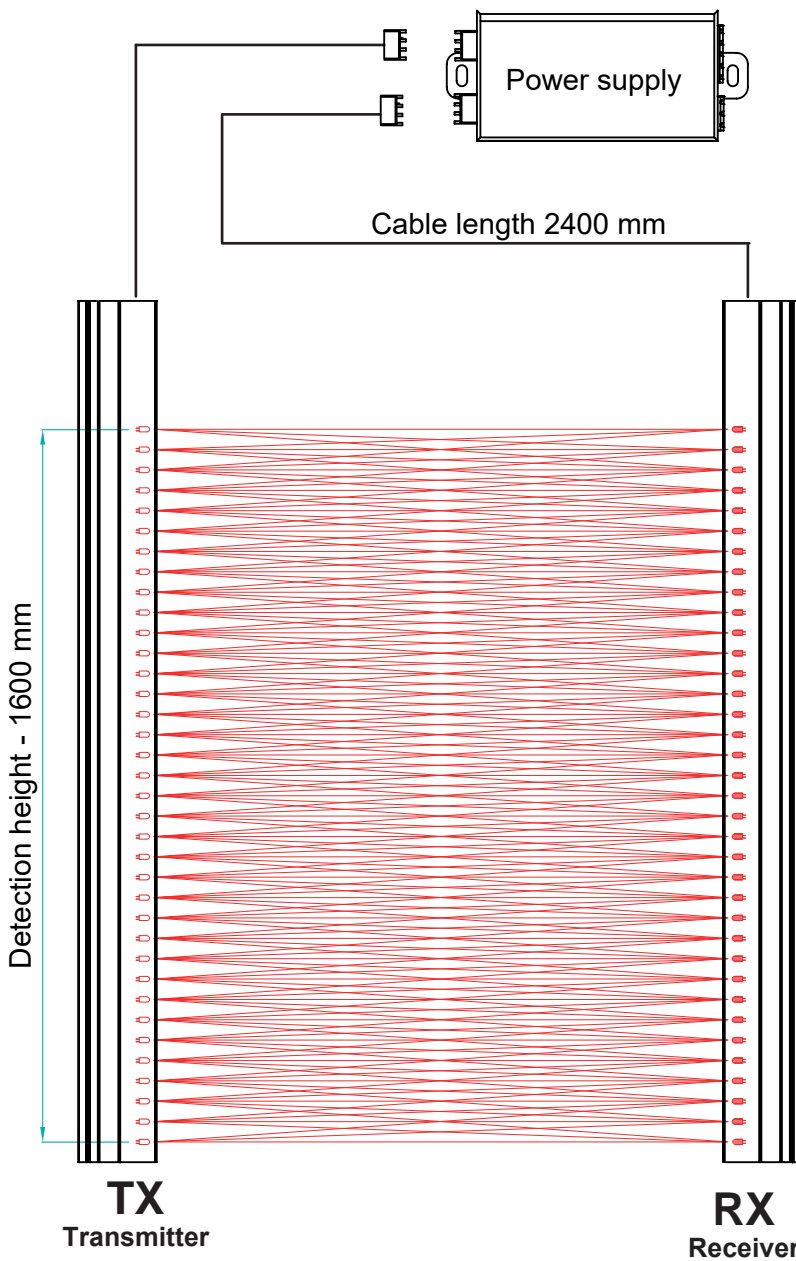
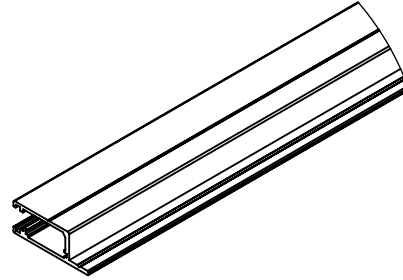
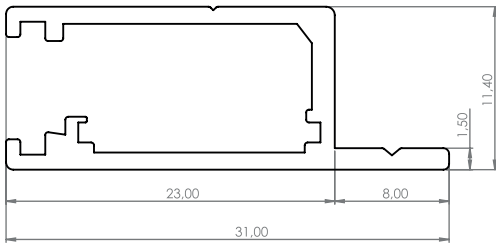
Cable / Connector Wiring, Part Number



## FNC DD36 Series

### Mechanical Dimensions

#### L profile



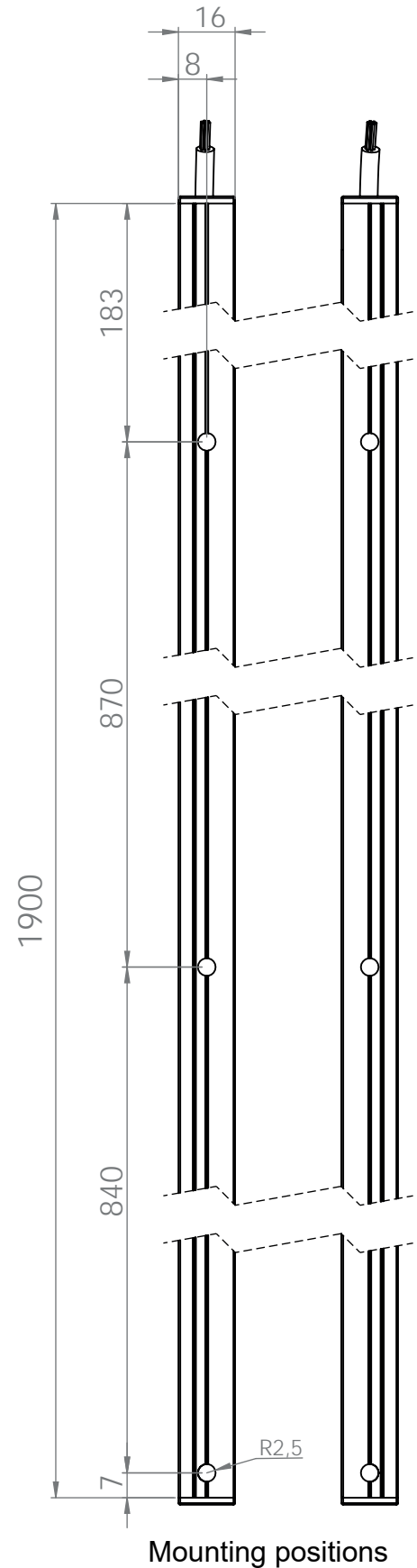
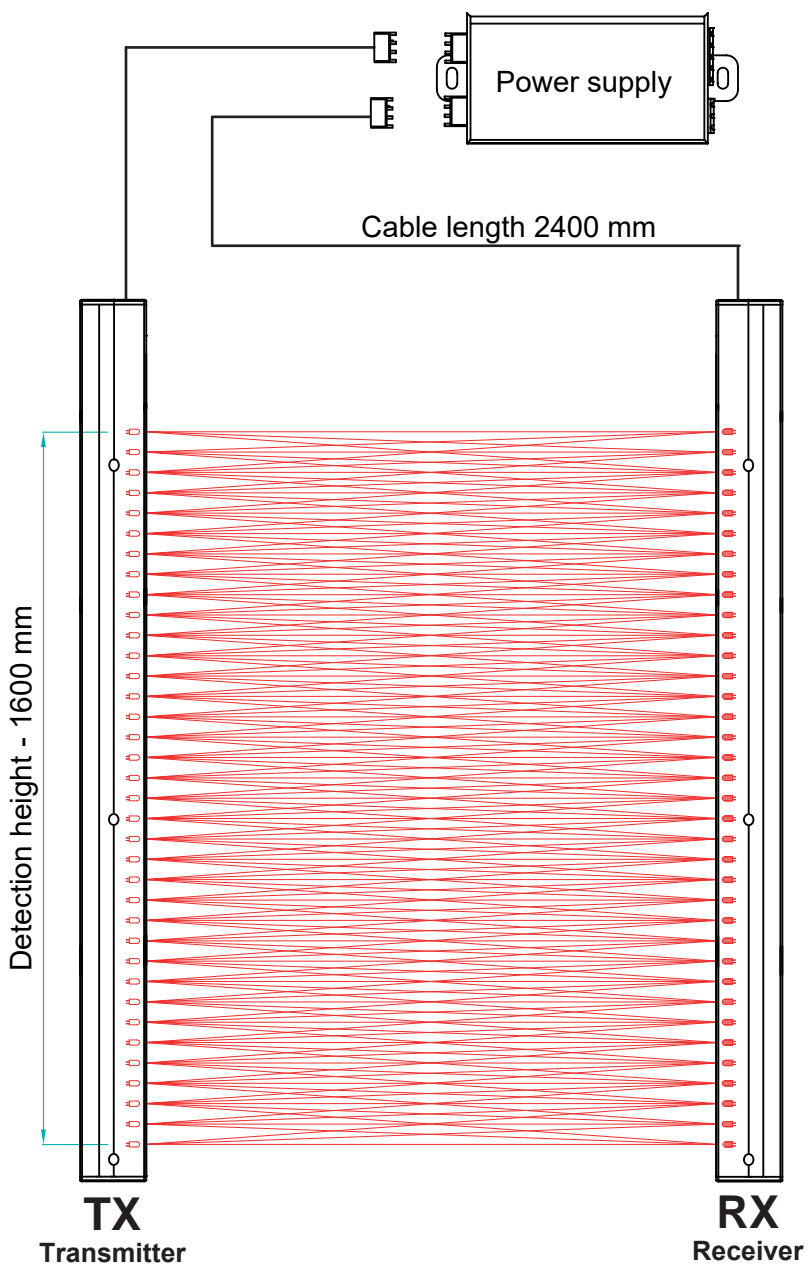
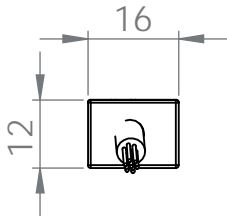
# Door detector

Pulse Diagram, Part Number

## FNC DD36 Series

### Mechanical Dimensions

#### D profile



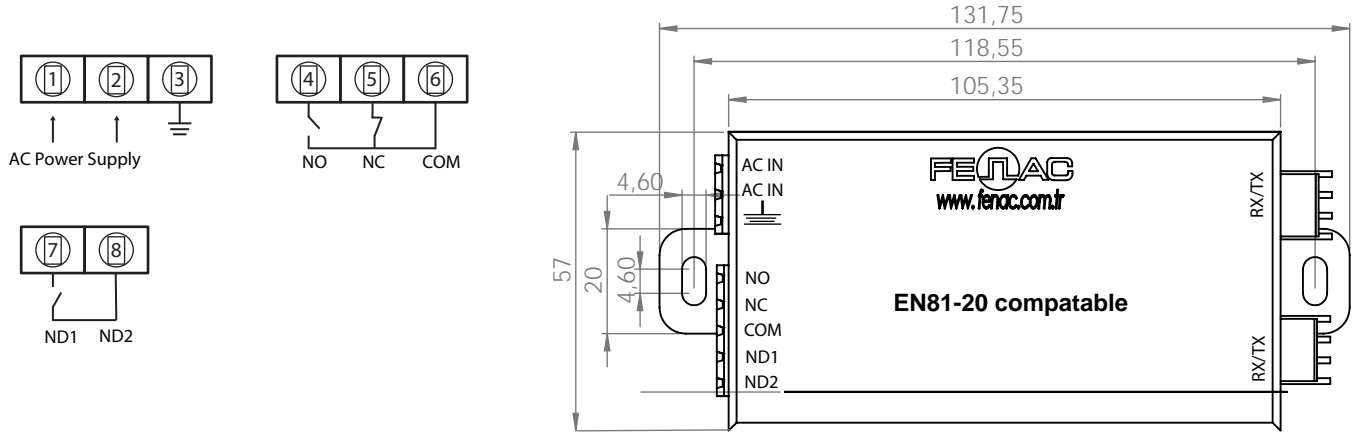
# Door detector

Cable / Connector Wiring, Part Number

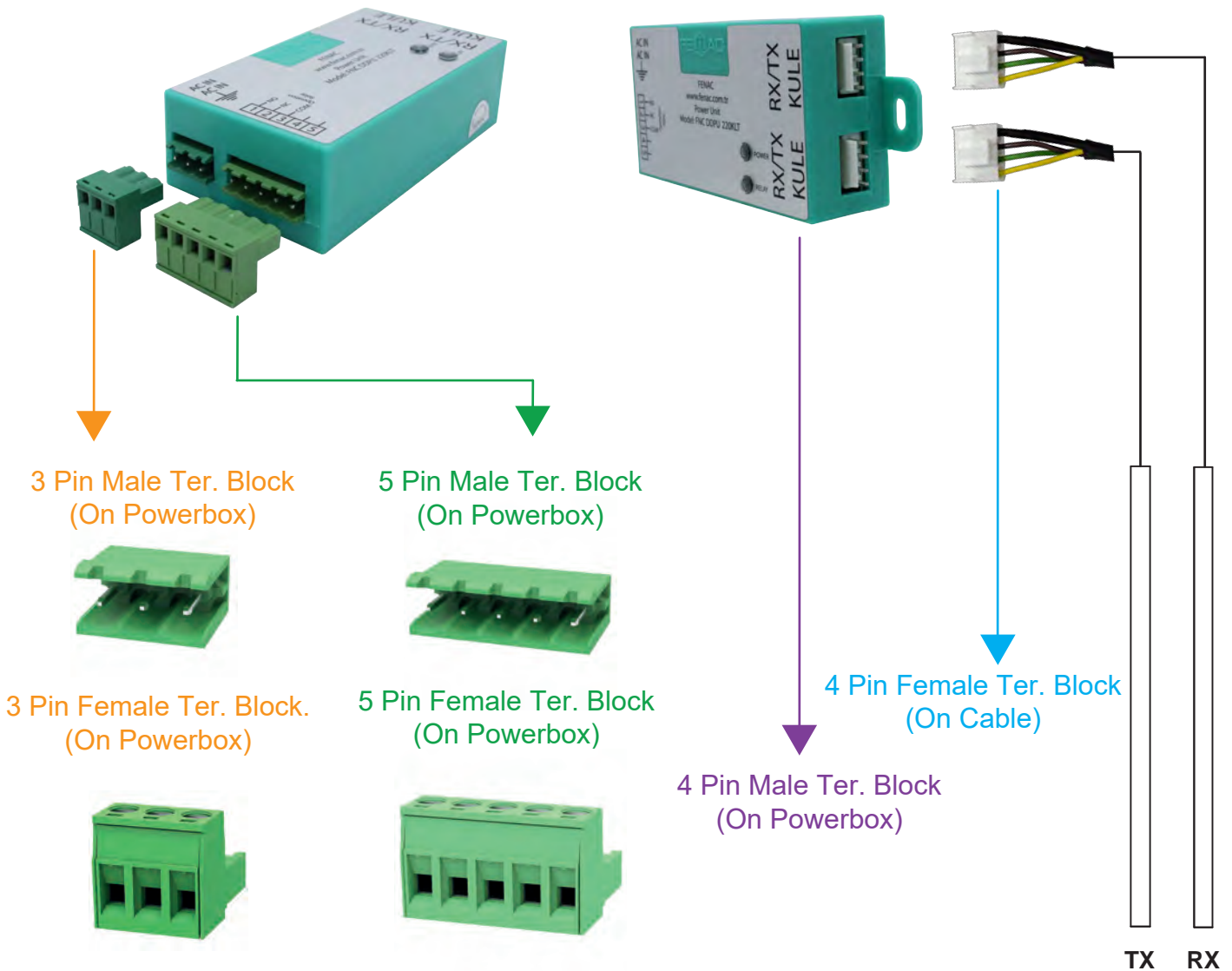


## FNC DD36 Series

### Powerbox Mechanical Dimensions



### Powerbox Connection

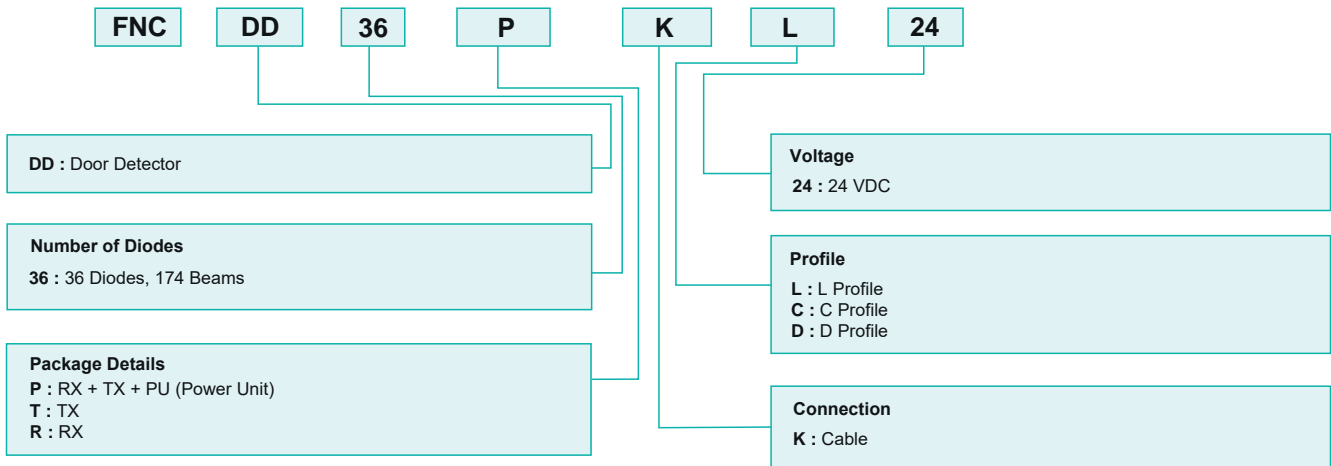


# Door detector

Pulse Diagram, Part Number

## FNC DD36 Series

### Door Detector Part Number



### Power Unit Part Number

