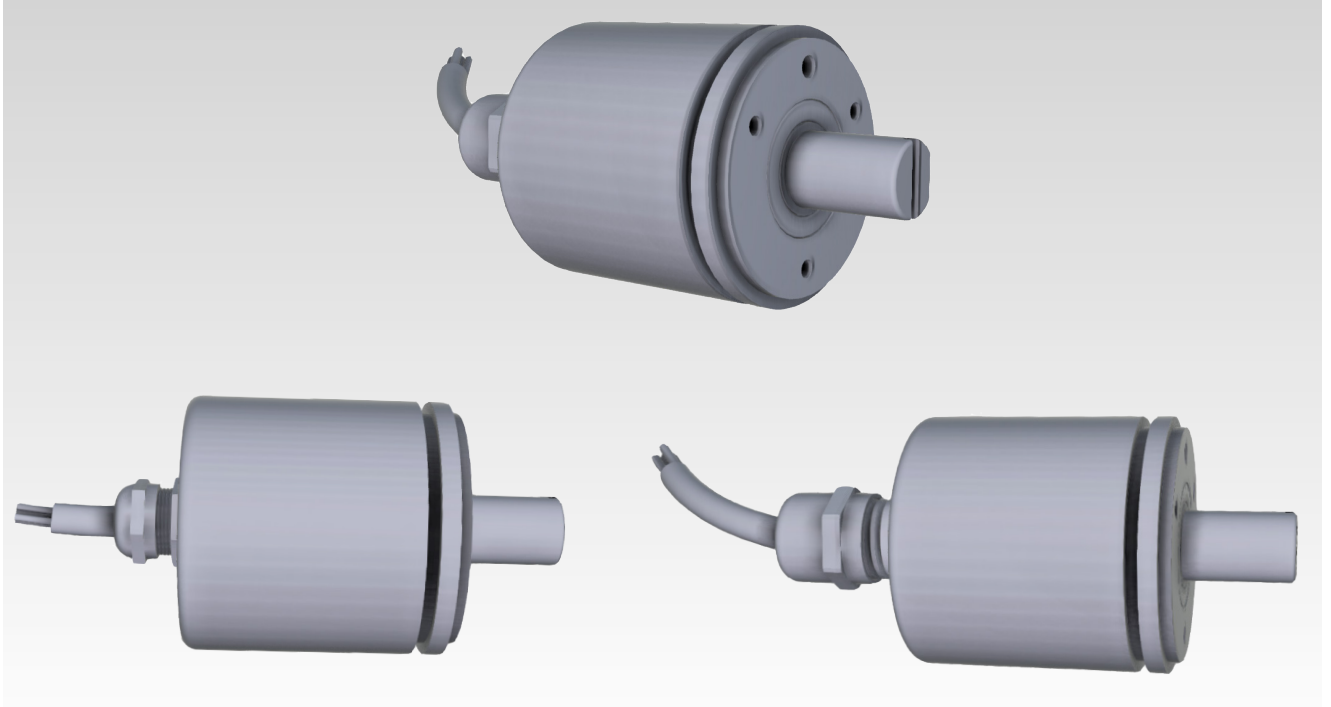


# Contactless Rotary Potentiometer

## FNC 36SS Series



### Features

- Designed for motor feedback applications
- Non-contact magnetic technology
- 36 mm diameter body
- Long life
- Compact dimensions

### Applications

- Harvester
- Fork-lift
- Operating table
- Hydraulic pump

### Technical data - mechanical design

Dimensions	ø36 mm
Materials	Housing: Stainless Steel

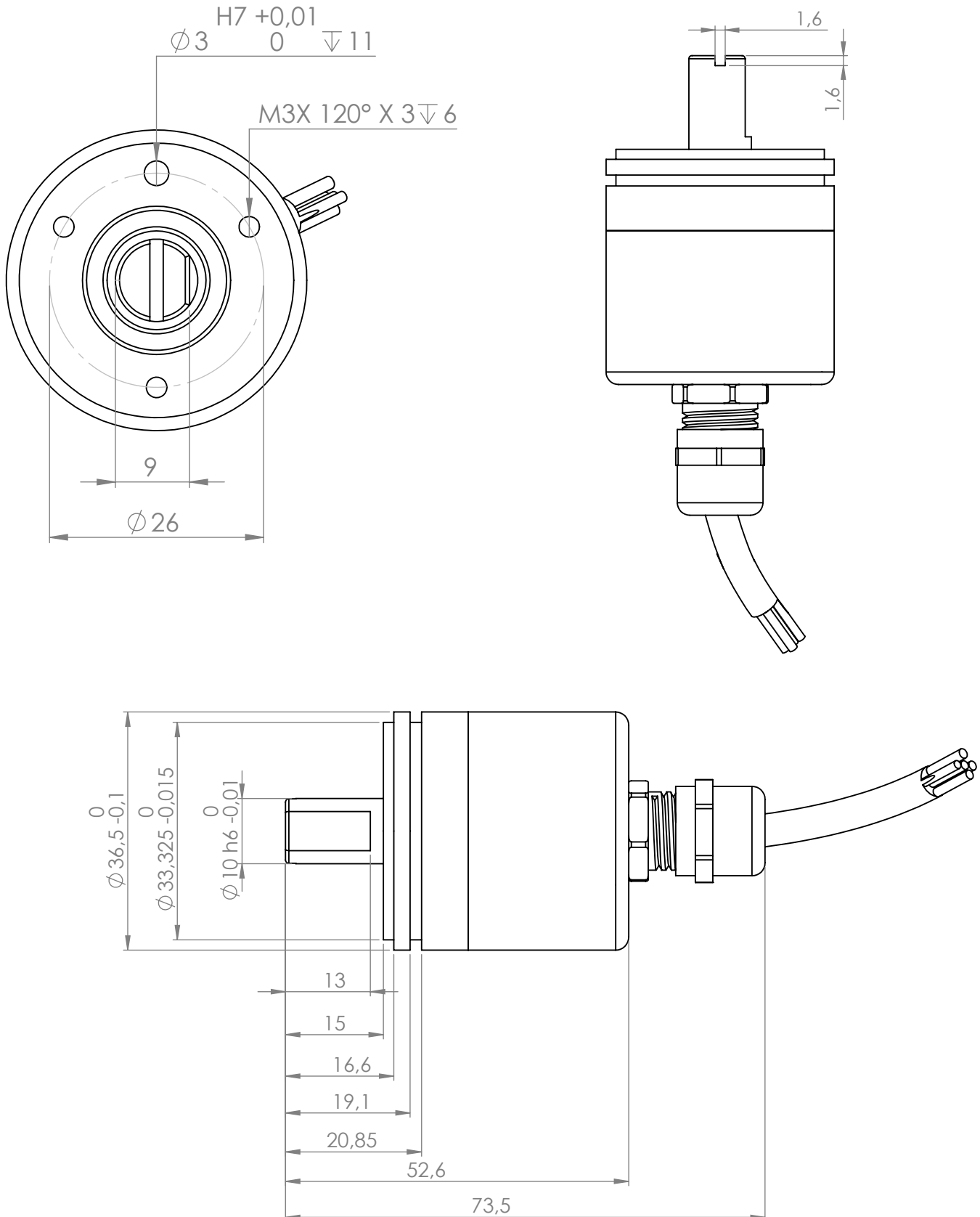
### Technical data - electrical ratings

Voltage supply	7.5 - 31VDC ± %5
Resolution (steps/turn) :	One per revolution

# Contactless Rotary Potentiometer

## FNC 36SS Series

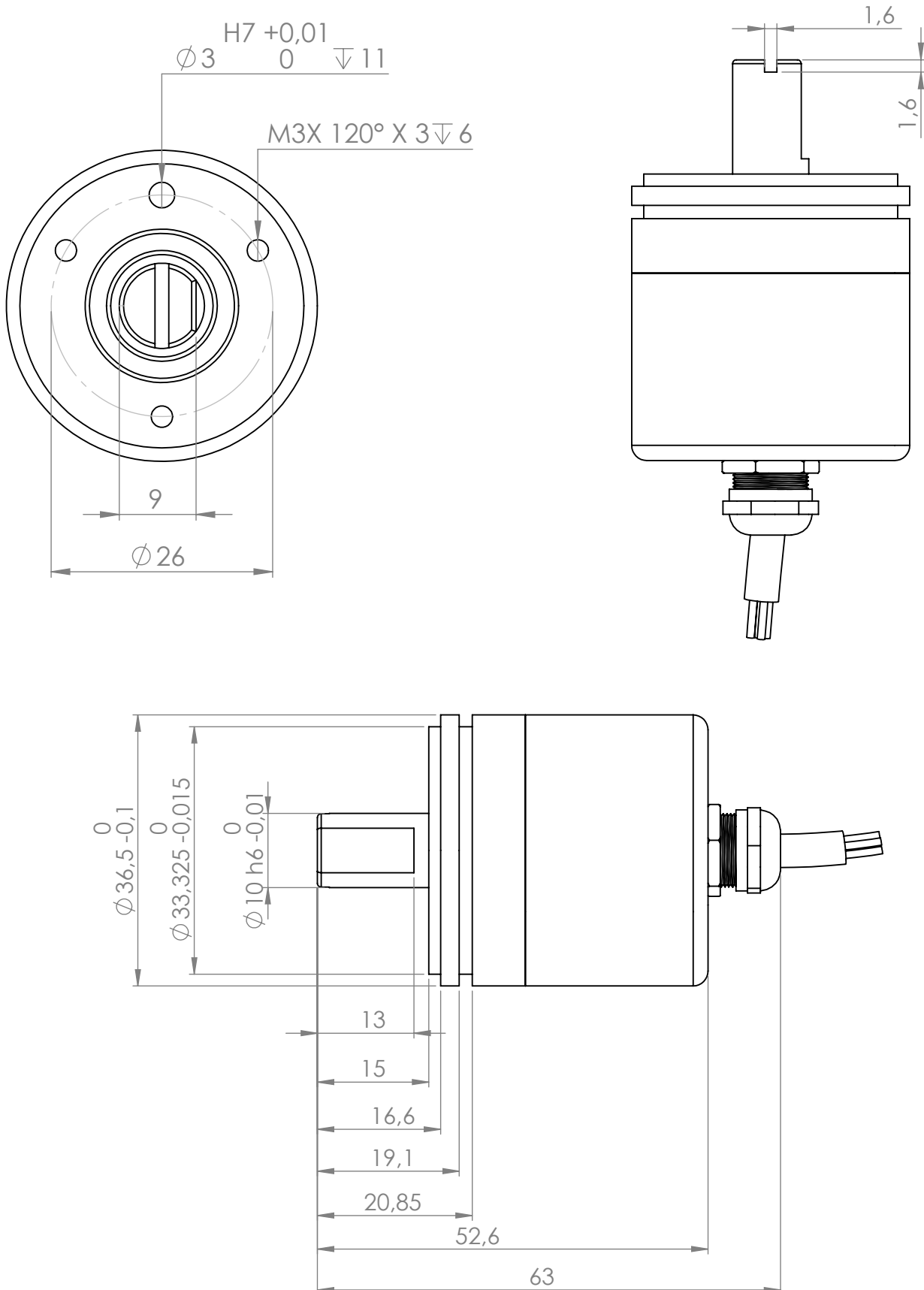
### Mechanical Dimensions



# Contactless Rotary Potentiometer

## FNC 36SS Series

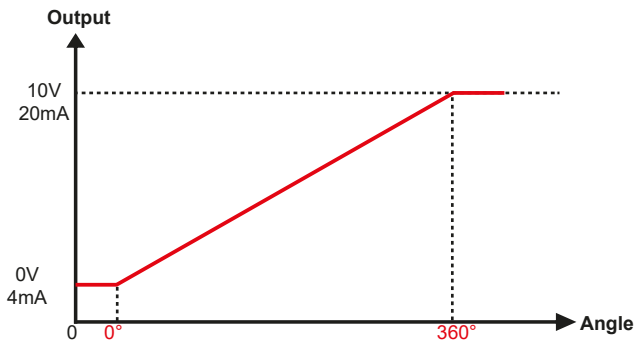
### Mechanical Dimensions



# Contactless Rotary Potentiometer

## FNC 36SS Series

### Pulse Diagram for Analog



### Cable Connection for Analog

Function	Color
Supply	Brown
GND	White
V	Green
A	Red

### Encoder Part Number for Analog

