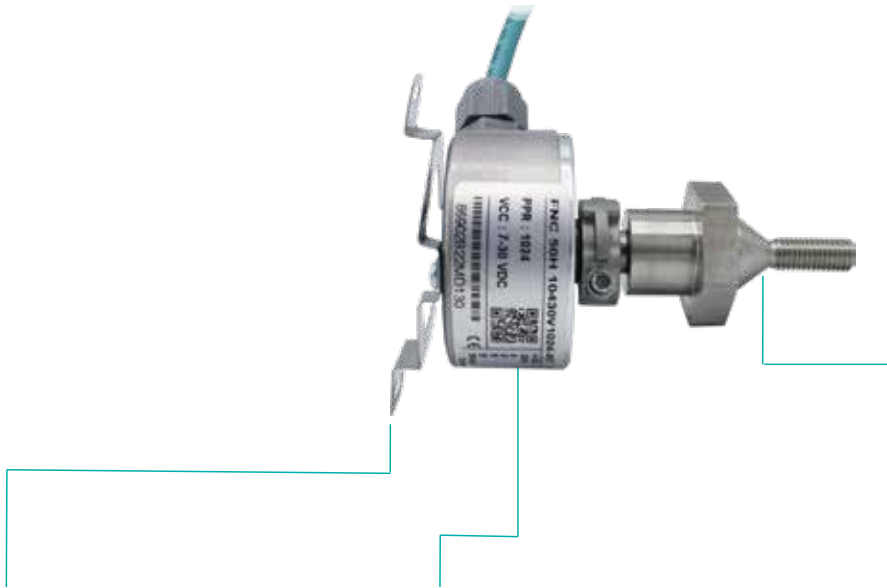


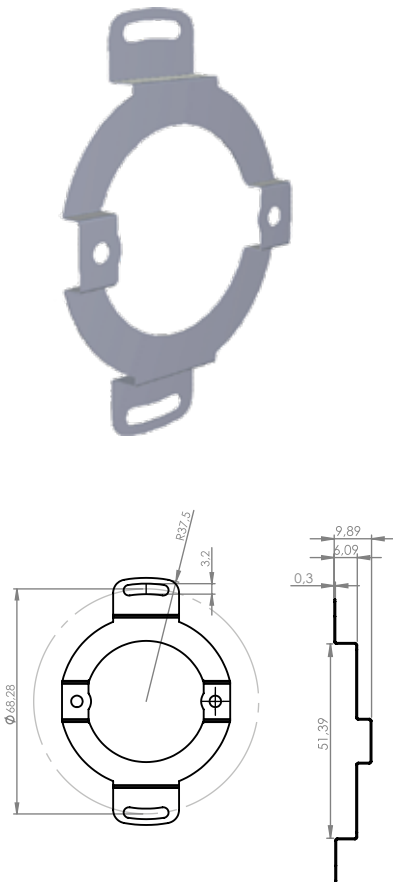
# Accessories Mounting Kits

## Installation kit for 50H Series Encoder

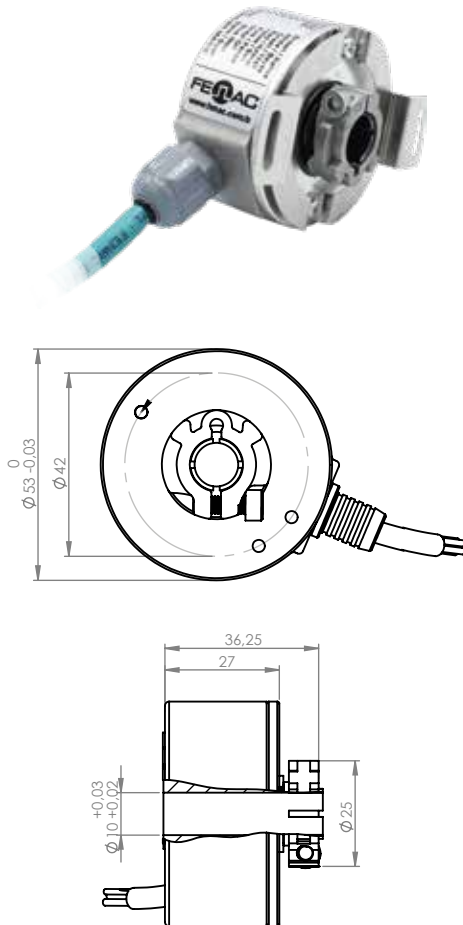
FNC 50H MK10M08 includes 3 parts. Encoder, Spring & mounting shaft.



**NGL3 SPRING**



**50H ENCODER**



**MOUNTING SHAFT**

**SA10M08L20**



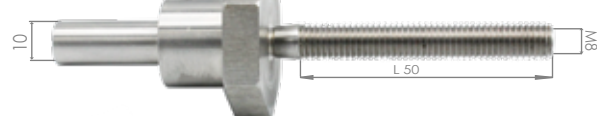
**SA10M10L20**



**SA10M12L20**



**SA10M08L50**



### Kit Part Number

FNC

50

H

MK

10

M10