

FNC INC Series



Features

- **Maximum durability**
- **Consistent precision between -40°C and 80°C**
- **Configurable filter**
- **Equipped with one or two M12 connector**
- **Two-dimensional direction measurement**

Technical data-electrical ratings

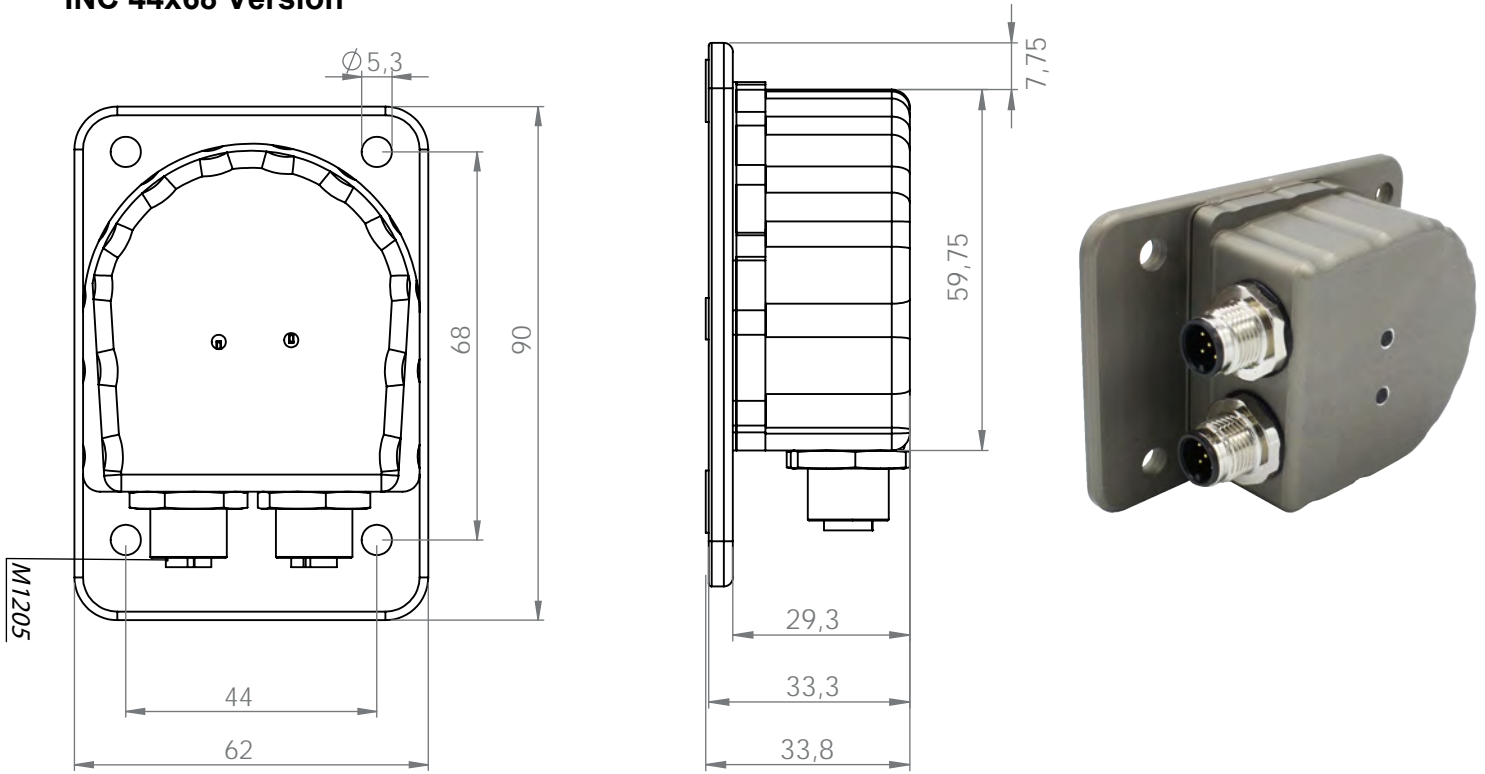
Voltage supply	10VDC to 30VDC
Interface	CAN specification 2.0 B
Baud rate	20, 50, 100, 125, 250, 500, 800, 1000 Kbit/s configurable (default 250)
Note address	1 to 127 user configurable (default 1)
Scanning	MEMS
Resolution	0.01°
System accuracy	±0.1°
Measuring range	0...360° ±85
Resolution	0.01°
System accuracy	±0.1°
Shock resistance	≤100 g, 6 ms
Vibration resistance	1.5 mm, 10...58 Hz ≤20 g, 58...2000 Hz
Interference immunity	DIN EN 61000-6-2
Emitted interference	DIN EN 61000-6-4
Approval	CE

Technical data-mechanical ratings

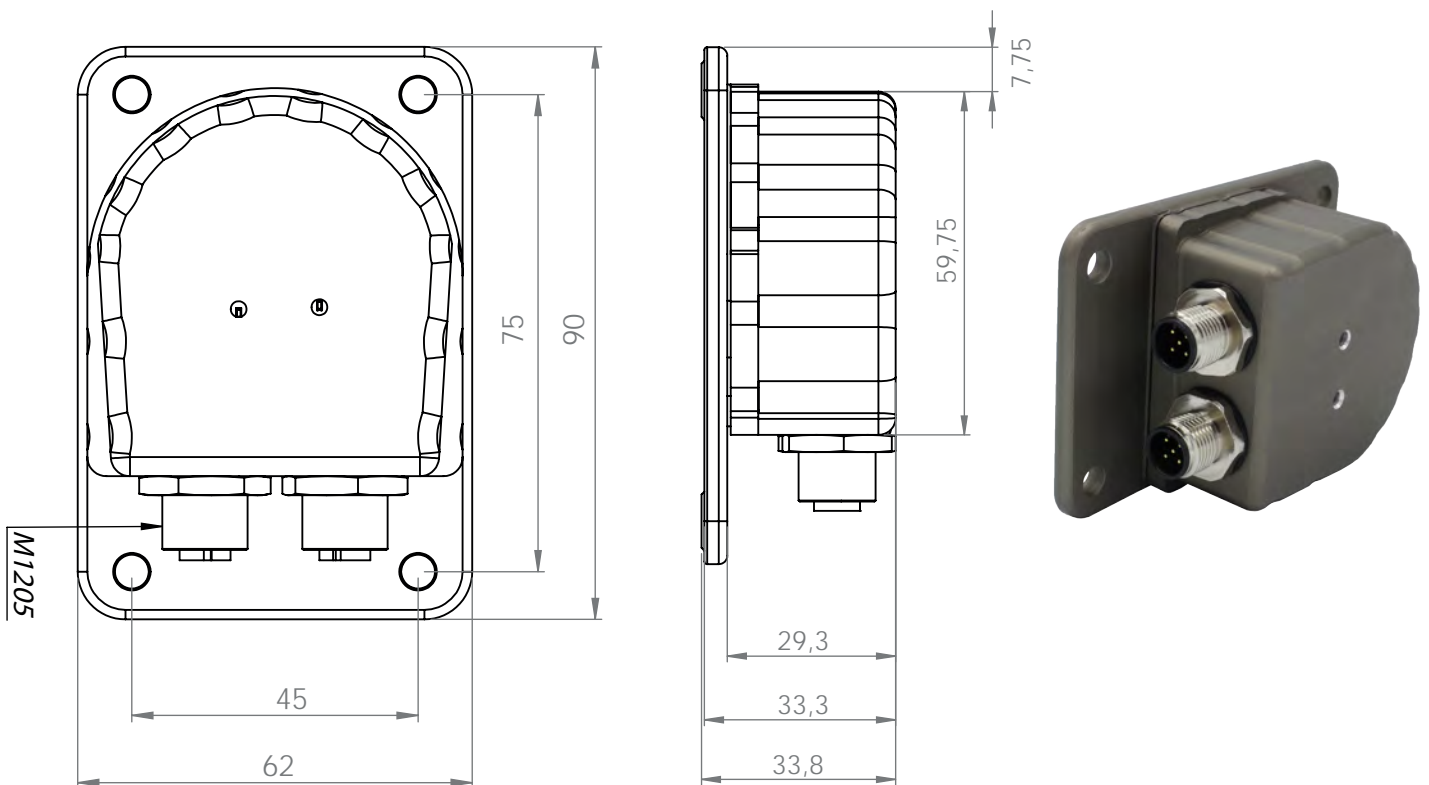
Montage hole dimensions	44x68 mm 45x75 mm 32x34 mm
Protection DIN EN 60529	IP54, IP65
Materials	Housing: aluminum
Operating temperature	-40...+80°C
Storage temperature	-40°C up to +80°C
Weight approx.	350 g

Mechanical Dimensions

INC 44x68 Version



INC 45x75 Version



Inclinometers

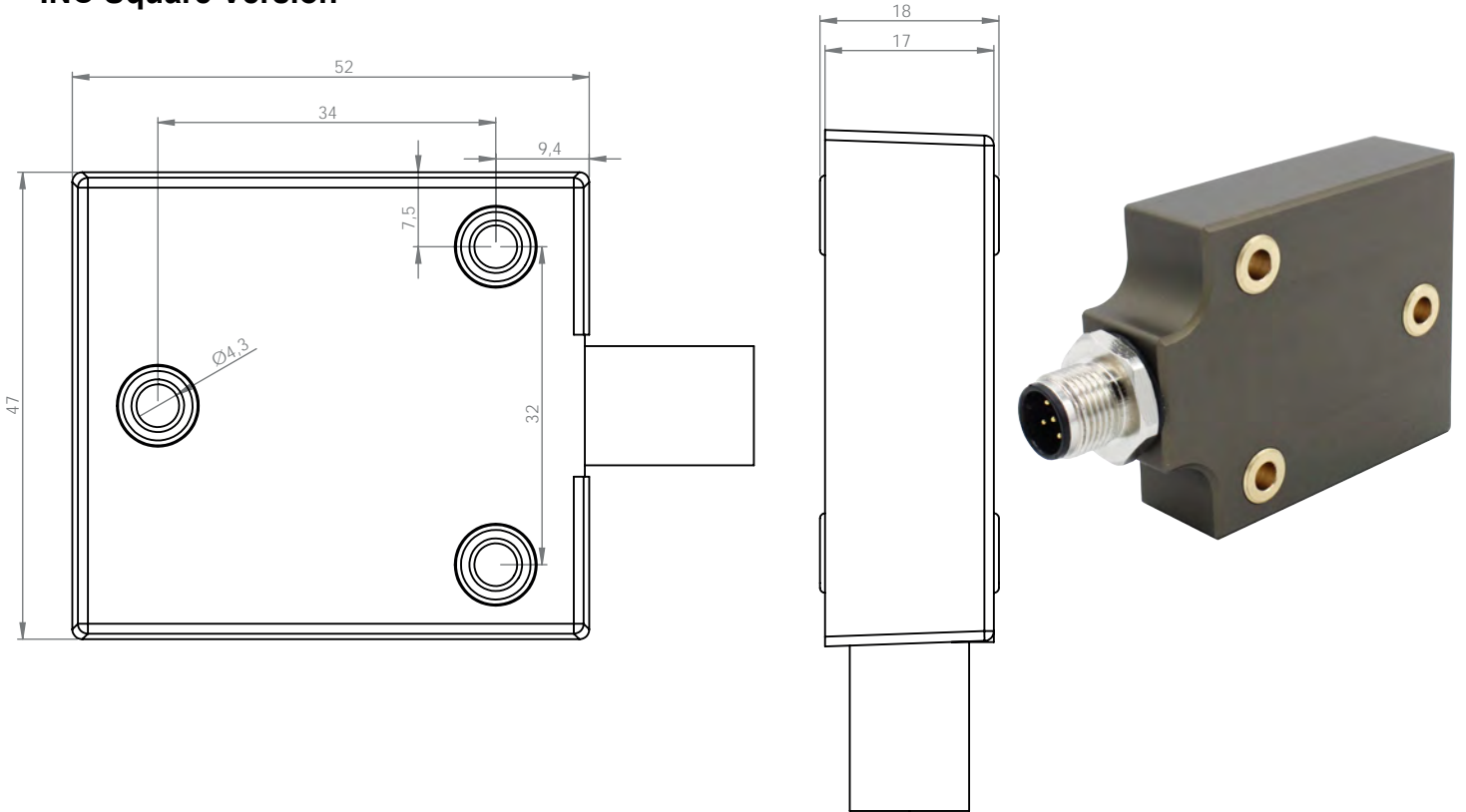
Cable / Connector Wiring, Part Number



FNC INC Series

Mechanical Dimensions

INC Square Version



Cable Connection

Function	Color	Renk	M1205
GND	White	Beyaz	pin 1
Us	Brown	Kahverengi	pin 2
CAN GND	Gray	Gri	pin 3
CAN HIGH	Green	Yeşil	pin 4
CAN LOW	Yellow	Sarı	pin 5

PDO 1 0x180 + NODE ID			
Roll Inclination Angle		Pitch Inclination Angle	
Byte 0	Byte 1	Byte 2	Byte 3
LSB	MSB	LSB	MSB

FNC INC Series

LED Status

GREEN LED

The device is in the state “reset” or no power supply is available if the Green LED is off.
 The device is in the “pre-operational” state if the Green LED is permanently on.
 If the Green LED flashes, the device is in the “operational” state.
 The device is in the “stopped” state if the Green LED is lighting briefly once.

RED LED

In the non-fault state, the Red LED is off.
 Red LED is on continuously in case of CAN communication error and IC sensor error.
 In Bus State off state, it is on for 100 ms, off for 100 ms and repeats periodically.
 In passive error state, it lights up for 400 ms and goes out for 400 ms, repeats periodically.

Encoder Part Number

