

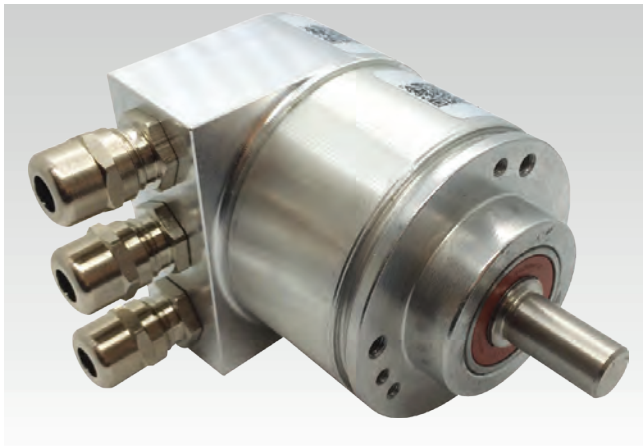
Absolute encoders

Clamping flange
Magnetic single or multiturn encoders



FNC AC 58B Bus Cover Series

CANopen



Features

- Encoder single or multiturn / Bus cover
- Magnetic and optical sensing
- Singleturn resolution: 12...19 bit
- Multiturn 4...32 bit
- Permanent check of code continuity
- Extreme resistance to shock and vibration
- CANopen

Technical data-electrical ratings

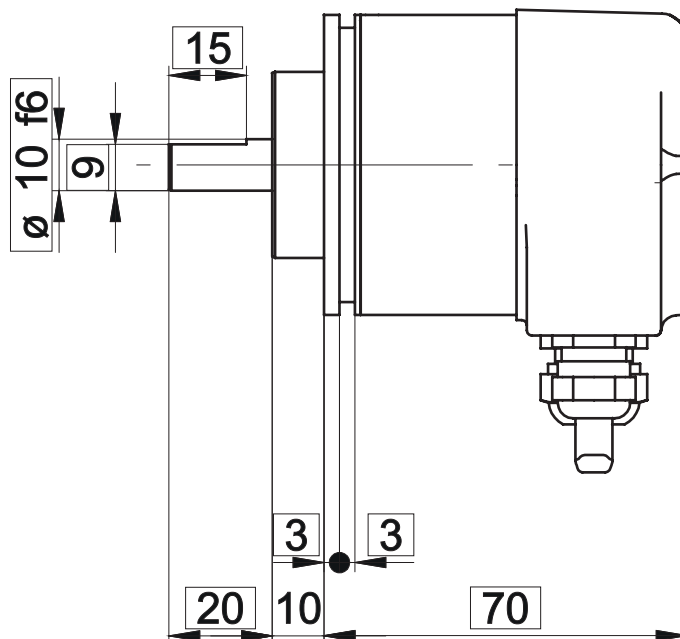
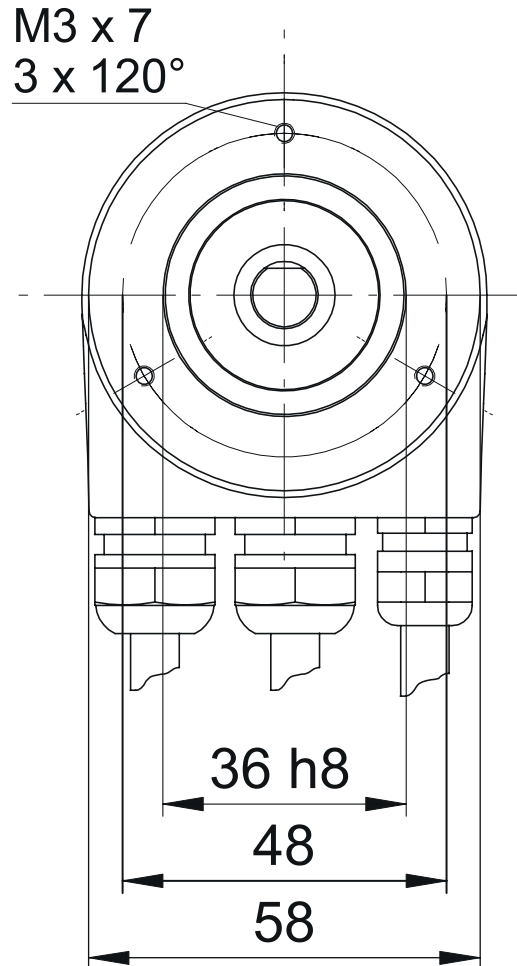
| | |
|-------------------------|--|
| Voltage supply | 5.5VDC to 30VDC 4.75VDC to 5.5VDC 8VDC to 30VDC |
| Protection | Output short circuit protection. Reverse polarity protection |
| Consumption w/o load | ≤50 mA (24 VDC) |
| Initializing time ty. | 170 ms after power on |
| Interface | CANopen |
| Resolution (steps/turn) | 9 to 16 bit |
| Number of revolution | 4, 8, 12, 16, 24, 32 |
| Code | Binary |
| Code sequence | CW default, programmable |
| Absolute accuracy | ±0.35° |
| Device adress | Rotary switch in bus cover |
| Interference immunity | DIN EN 61000-6-2 |
| Emitted interference | DIN EN 61000-6-4 |
| Approval | CE |
| Programmable parameters | Steps per revolution Number of revolutions Preset Scaling Rotating direction |
| Diagnostic functions | Position or parameter error Multiturn sensing |
| Status indicator | RED & GREEN-LED integrated in bus cover |

Technical data-mechanical ratings

| | |
|-------------------------|--|
| Dimensions (flange) | Ø58 mm |
| Shaft loading | ≤140 N axial ≤240 N radial |
| Protection DIN EN 60529 | IP54, IP65 |
| Operating speed | ≤10,000 rpm |
| Starting torque | ≤0.025 Nm (IP67) |
| Materials | Housing: aluminum Shaft: stainless steel |
| Shaft diameter | 6, 8 mm (other diameters on request) |
| Bearings lifetime | 2x10 ⁹ rev. at 100% of full rated shaft load (minimum) |
| Operating temperature | -25...+90°C |
| Storage temperature | -40°C up to +120°C |
| Weight approx. | 300 g |
| Connection | Buscover |
| Relative humidty | 95% |
| Resistance | DIN EN 60068-2-6 Vibration 30 g, 10-2000 Hz DIN EN 60068-2-27 Shock 200 g, 6 ms |

FNC AC 58B Bus Cover Series

Mechanical Dimensions



FNC AC 58B Bus Cover Series

Encoder Part Number

