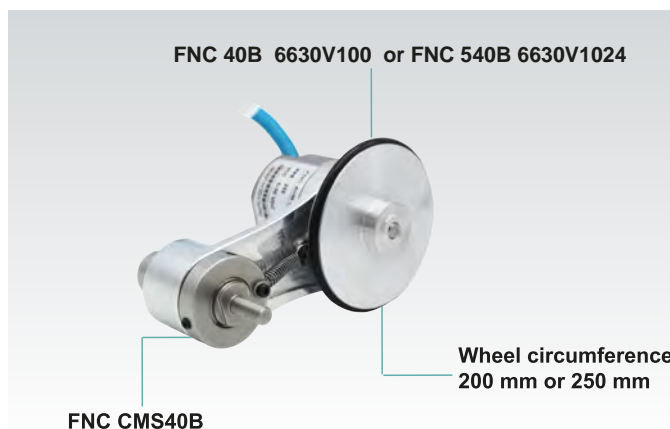


# Wheel Measuring System

## Textile, steel etc...length measurement



### FNC CMS Measuring System



#### Features

- Compact - small size wheel + spring arm + encoder linear measurement system
- Robust mechanical and electrical construction
- Protection up to IP67

#### Technical data - electrical ratings

Voltage supply	4.75VDC to 30VDC 4.75VDC to 5.5VDC
Protection:	Output short circuit protection. Reverse polarity protection ( except 5V version )
Resolution (steps/turn)	1...25.000
Output frequency	>200 kHz
Output signals	90° shifted A and B, Z +

#### Technical data - mechanical design

Dimensions (flange)	ø58 mm
Shaft loading	≤140 N axial ≤240 N radial
Protection DIN EN 60529	IP 67
Operating speed	≤10000 rpm
Shaft diameter:	6, 8, 10, 12 mm ( other diameters on request )
Operating / Storage temperature	-20...+85 °C -30 °C up to +90 °C
Weight approx.	250 g

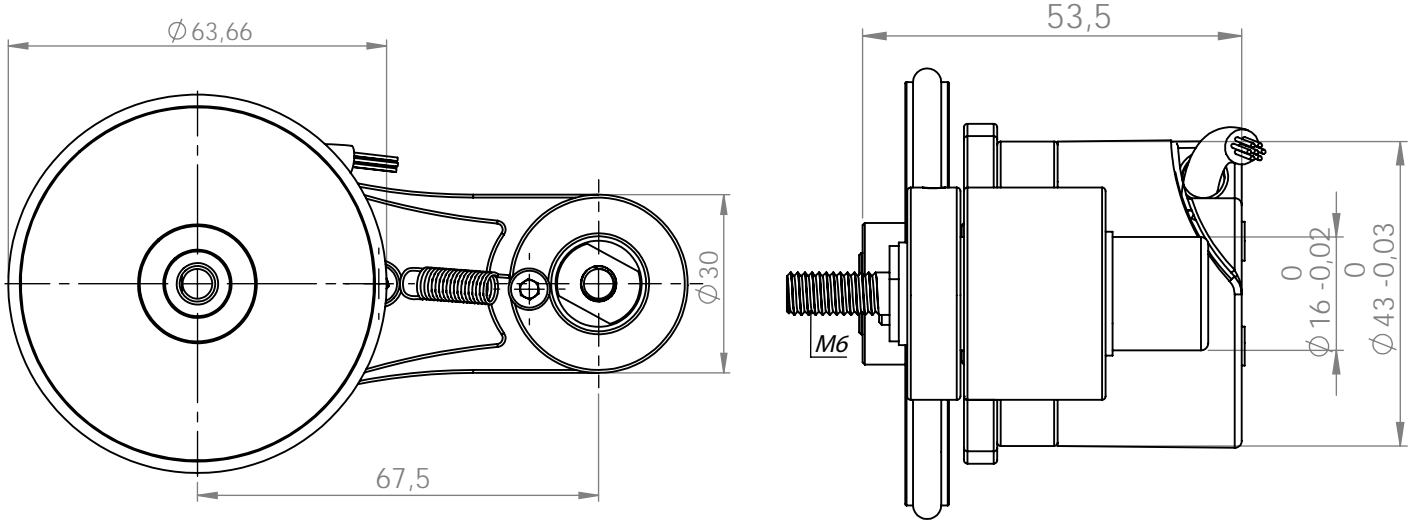
# Wheel Measuring System

## Textile, steel etc...length measurement



### FNC CMS Measuring System

#### Mechanical Dimensions



#### Encoder Part Number

**FNC 40 B 6 6 30V 1024 - R2**

##### Housing:

**40** : 40 mm cover & housing  
**540** : 50 mm cover, 40 mm housing

##### Flange Type:

**B** : Clamping flange

##### Shaft diameter :

**6** : Other dimensions on request

##### Output Channels

- 1 : A
- 2 : AB
- 3 : ABZ
- 4 : AB+A' B'
- 6 : ABZ+A' B' Z'

##### Electrical Connections:

**Cable**  
**R2** : radial 2m, shield not connected (standart)  
**A2** : axial 2m, shield not connected (standart)

##### Connector:

R1204 R1205

##### PPR Options :

1 to 1024 - 2048 - 4096

##### Supply Voltage and output circuit :

**5V** : 5V in / out  
**245V** : 5-30V in 5V out  
**30V** : 5-30V in / out

#### Spring Arm + Wheel Part Number

**FNC CMS 40B 200**

**CMS** : Compact measuring system

**40B** : 40B Series

##### Wheel Circumference

**200** : 200 mm  
**250** : 250 mm

#### WHEEL & SYSTEM + ENCODER

#### PPR

WHEEL & SYSTEM + ENCODER	PPR
FNC CMS40B200 FNC 40B 6230V200-R1	1 mm, 1 ppr
FNC CMS40B200 FNC 40B 6230V400-R1	1 mm, 2 ppr
FNC CMS40B200 FNC 40B 6230V1000-R1	1 mm, 5 ppr
FNC CMS40B250 FNC 40B 6230V500-R1	1 mm, 2 ppr
FNC CMS40B250 FNC 40B 6230V5000-R1	1 mm, 20 ppr

**CMS40B200** : Measuring system with 200 mm wheel without encoder, FNC 40B series encoder should be ordered separately

**CMS40B250** : Measuring system with 250 mm wheel without encoder, FNC 40B series encoder should be ordered separately