

FNC F229B15 SC Series



Features

- Designed for motor feedback applications
- One period sincos signals
- Differential 4 Vpp signals
- Non-contact magnetic technology
- 22 mm diameter body

Technical data - electrical ratings

Voltage supply	5VDC \pm %5
Interface	4 Vpp Sine and cosine
Resolution (steps/turn) :	One per revolution

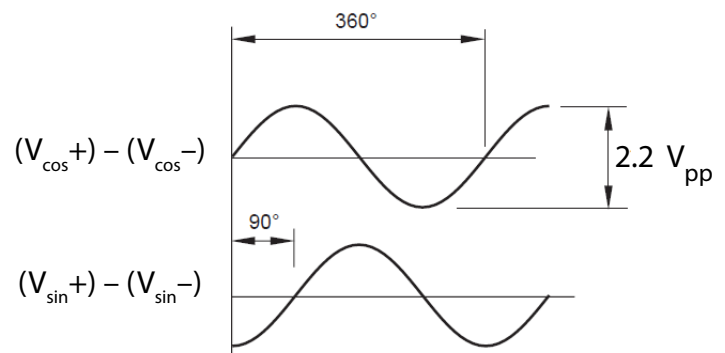
Technical data - mechanical design

Dimensions	\varnothing 22 mm
Mount Diameter	29 mm
Materials	Housing: Aluminium Cover: Aluminium
Magnet actuator	for integration into 6 mm shaft

Connection

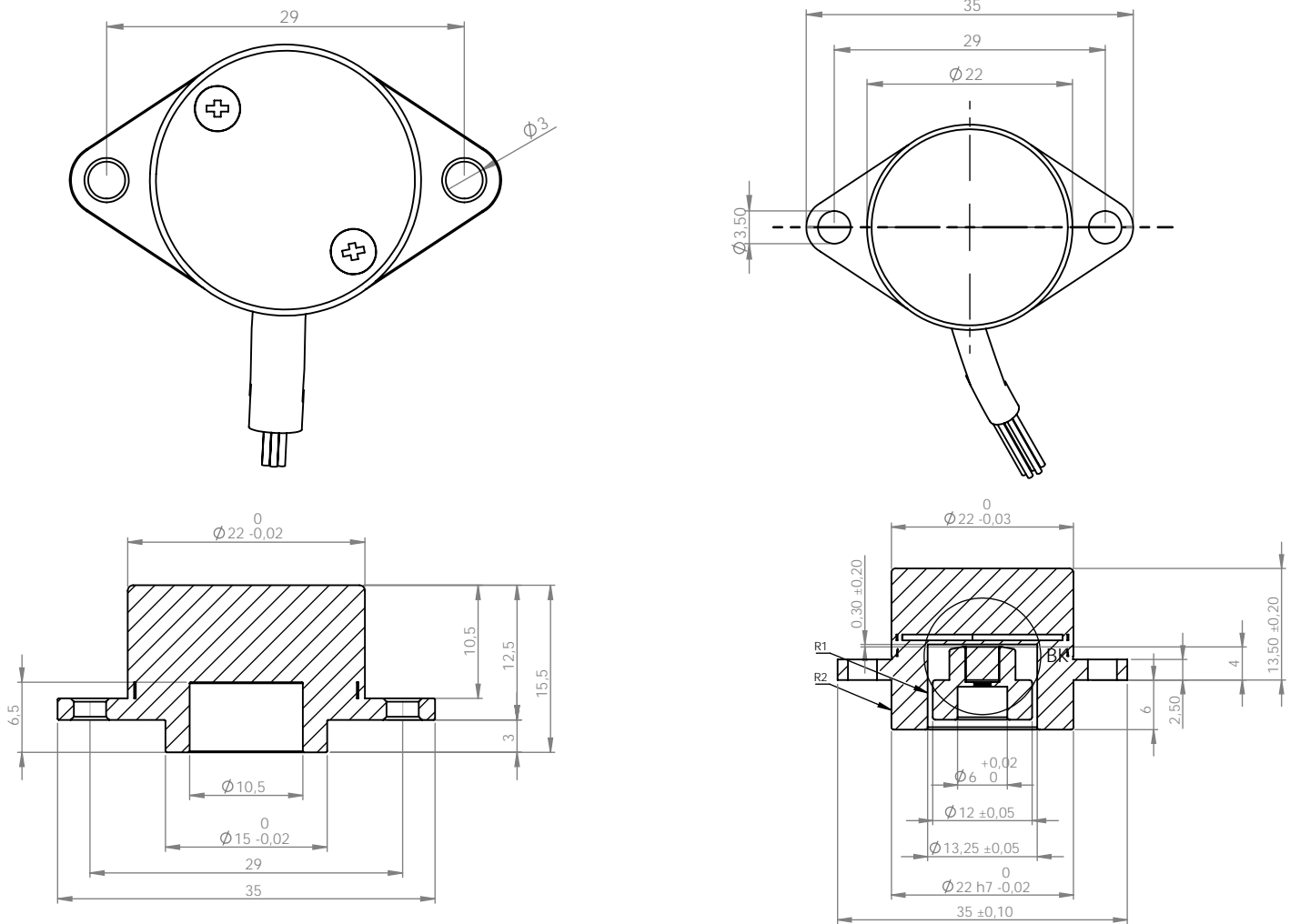
Function	Color
+5V	Red
GND	Black
Sin+	Orange
Sin-	Orange-White
Cos+	Blue
Cos-	Blue-White

Pulse Diagram



FNC F229B15 SC Series

Mechanical Dimensions



Part Number

F

229

B15

SC

2.2

R01

Housing

229: 22 mm body diameter, 29 mm montage holes diameter

Montage Type

B15

Output Type

SC: Sin-cosine out

Connection Options

R01 : 10 cm meter cable (standard)
M * : Molex 501568-1107 Connector
* (mating with Molex 501330 -1100)

2.2 : 2.2 Vpp
4 : 4 Vpp
1 : 1 Vpp

Magnet Holder

F

22

M

44