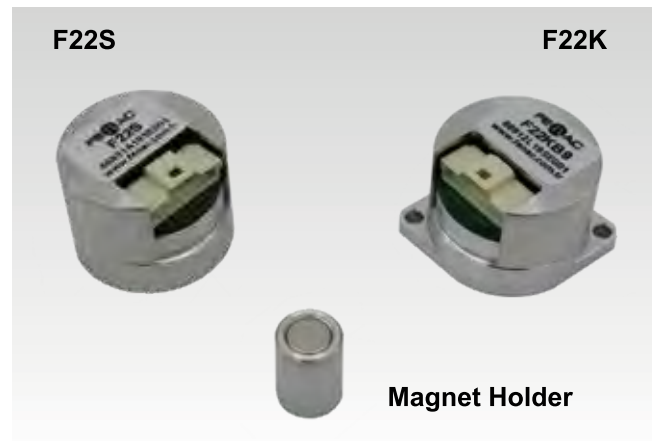


## FNC AS F22 Series



### Features

- Designed for motor feedback applications
- Up to 12 bit
- 22 mm diameter body
- Non-contact magnetic technology

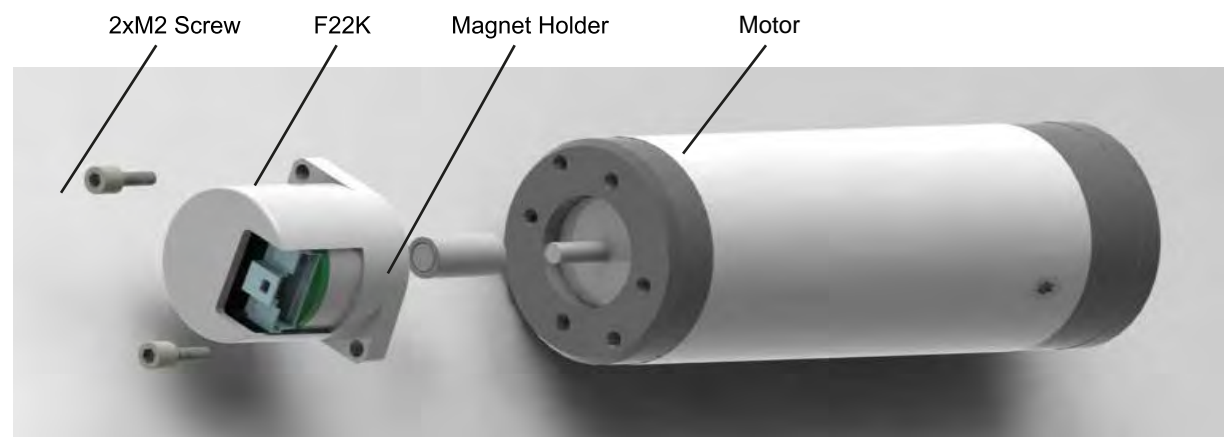
### Technical data - electrical ratings

Voltage supply	5VDC ± %5
Interface	SSI / BISS
Resolution	up to 12 bit

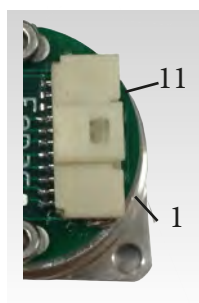
### Technical data - mechanical design

Dimensions	ø22 mm
Mount Diameter	26 mm
Materials	Housing: Aluminium Cover: Aluminium
Magnet actuator	for integration into 3 mm shaft

### Installation Guide

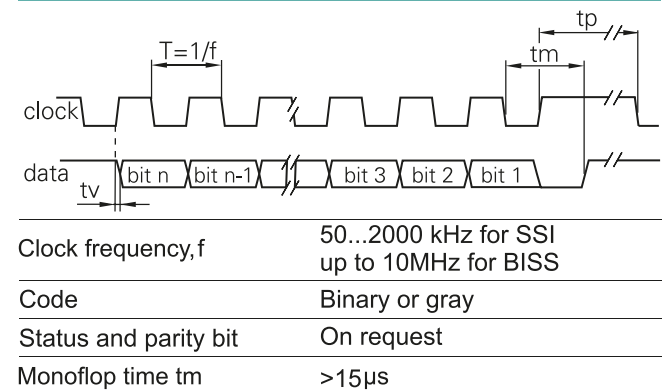


### Connection



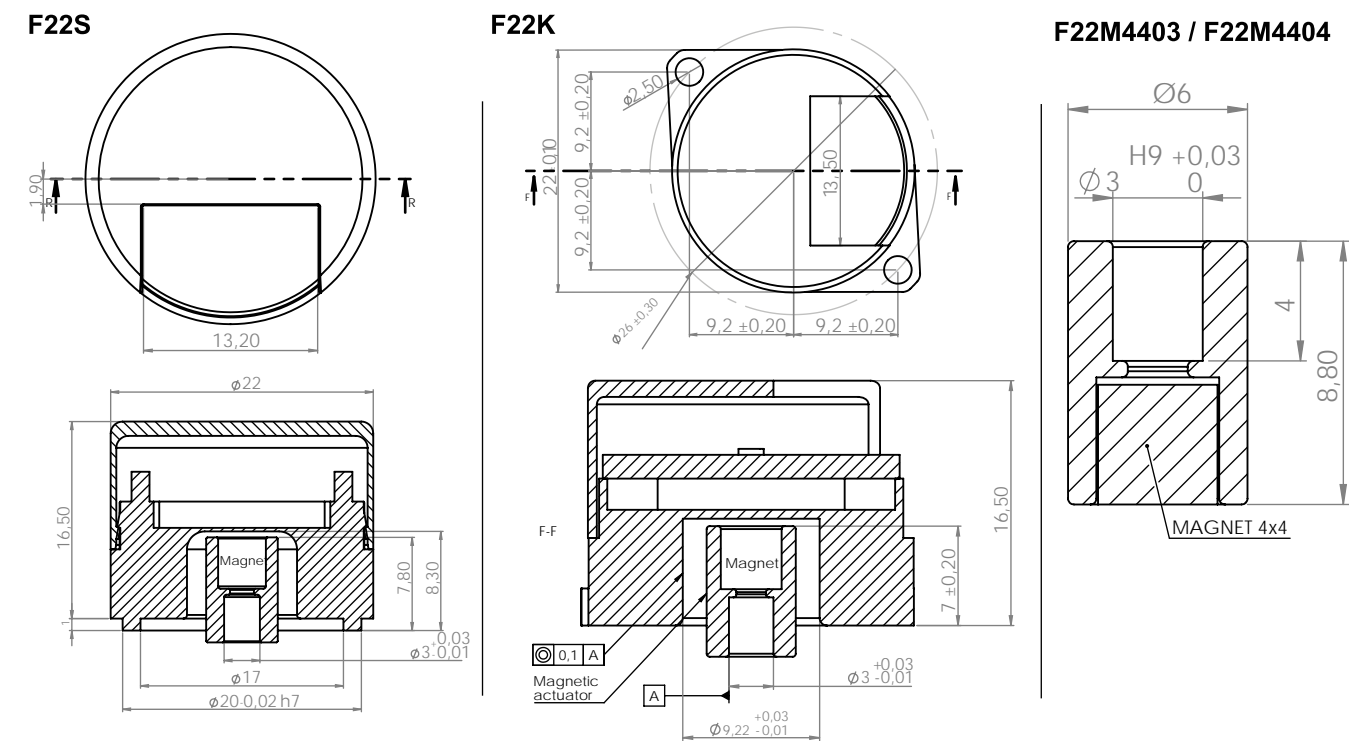
Function	Color	Pin
+VDC	Brown	1
GND	White	2
Clock+	Blue	9
Clock-	Blue-Black	8
Data+	Orange	11
Data-	Orange-Black	10

### Pulse Diagram



## FNC AS F22 Series

### Mechanical Dimensions



### Encoder Part Number

