

## FNC F22K Series



### Features

- Designed for motor feedback applications
- Both A, B, Z incremental and U, V, W commutation signals
- Differential RS 422 incremental output signals.
- Non-contact magnetic technology
- 22 mm diameter body

### Technical data - mechanical design

Dimensions	ø22 mm
Mount Diameter	26 mm
Materials	Housing: Aluminium Cover: Aluminium
Magnet actuator	for integration into 3 mm shaft

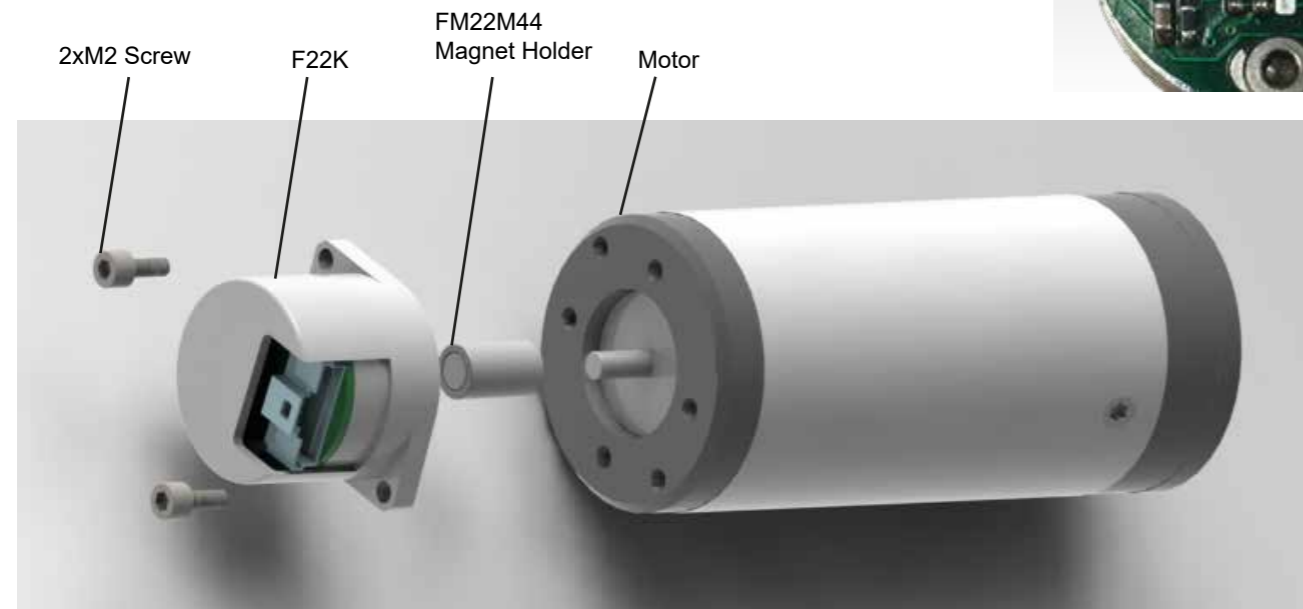
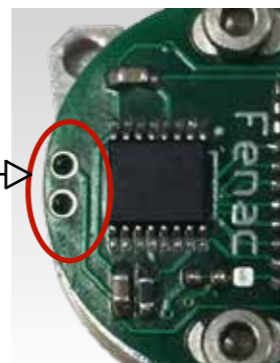
### Technical data - electrical ratings

Voltage supply	5VDC ± %5
Interface	ABZ ; Line Driver RS422 UVW ; (±24 mA output drive)
Resolution (steps/turn) :	up to 4096 CPR
Commutatiton Signals :	up to 16 pole

### Installation Guide

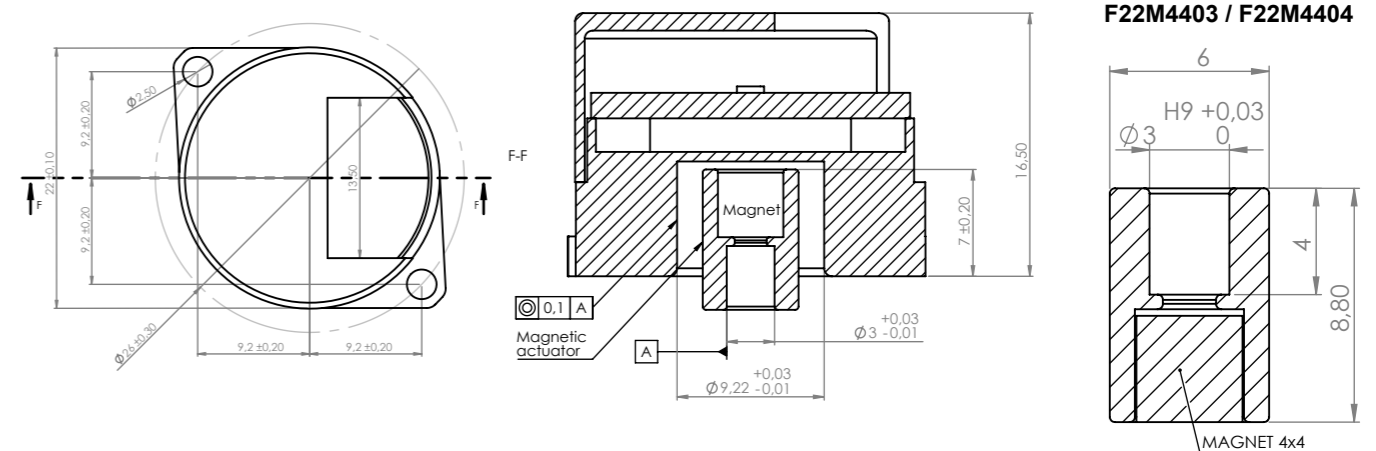
#### Zero the UVW signals

First move the motor to the required zero UVW position. Short together the two zeroing pads.

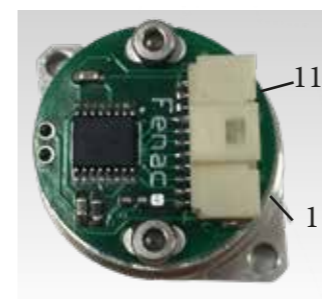


## FNC F22K Series

### Mechanical Dimensions

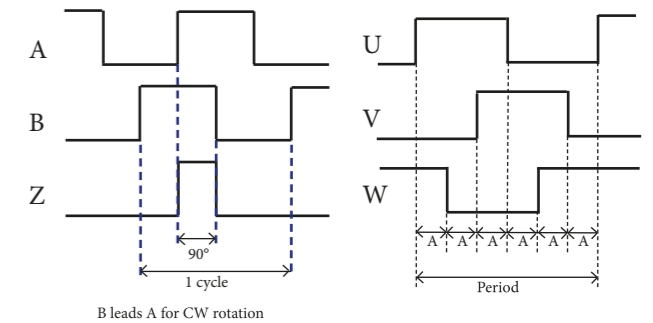


### Connection



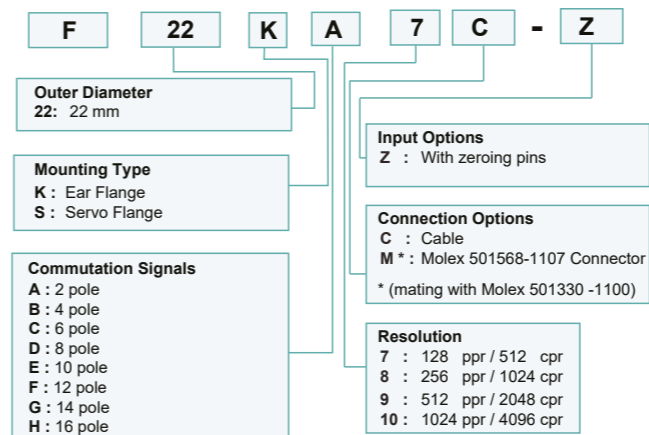
Function	Color	Pin
+VDC	Brown	2
GND	White	1
A	Green	8
A'	Red	7
B	Yellow	5
B'	Pink	6
Z	Gray	4
Z'	Blue	3
U	Black	9
V	Orange	10
W	Transparent	11

### Pulse Diagram

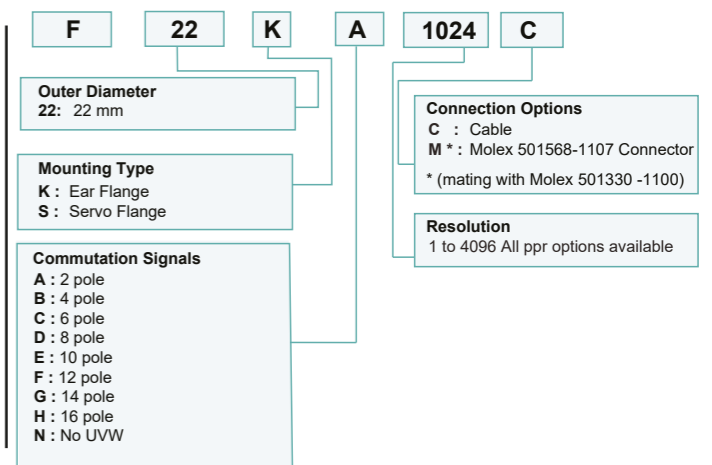


### Encoder Part Number

#### Commutation Version with Preset



#### Commutation Version without Preset



#### Magnet Holder

