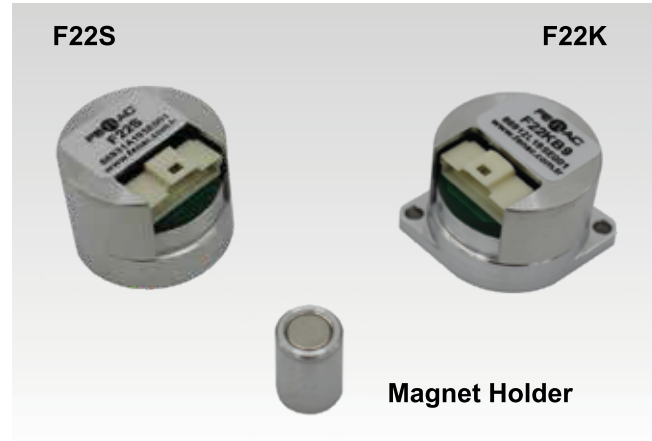


FNC AS F22 Series

FNC AS F22 Series



Features

- Designed for motor feedback applications
- Up to 12 bit
- 22 mm diameter body
- Non-contact magnetic technology

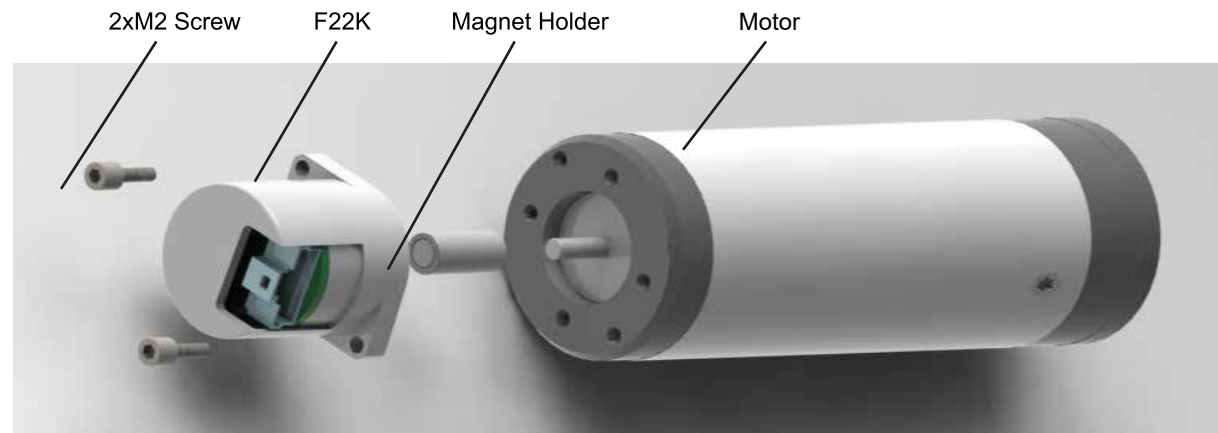
Technical data - electrical ratings

Voltage supply	5VDC ± %5
Interface	SSI / BISS
Resolution	up to 12 bit

Technical data - mechanical design

Dimensions	ø22 mm
Mount Diameter	26 mm
Materials	Housing: Aluminium Cover: Aluminium
Magnet actuator	for integration into 3 mm shaft

Installation Guide



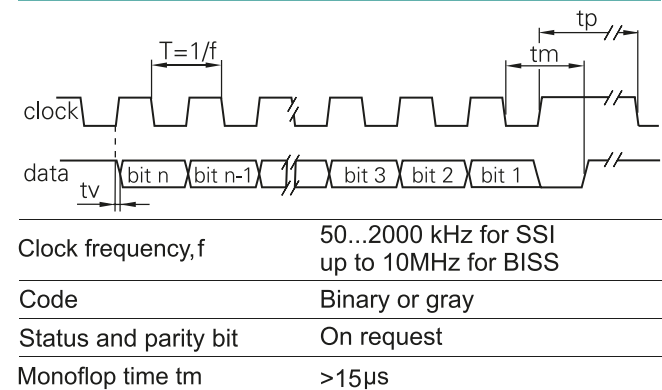
Connection

Cable

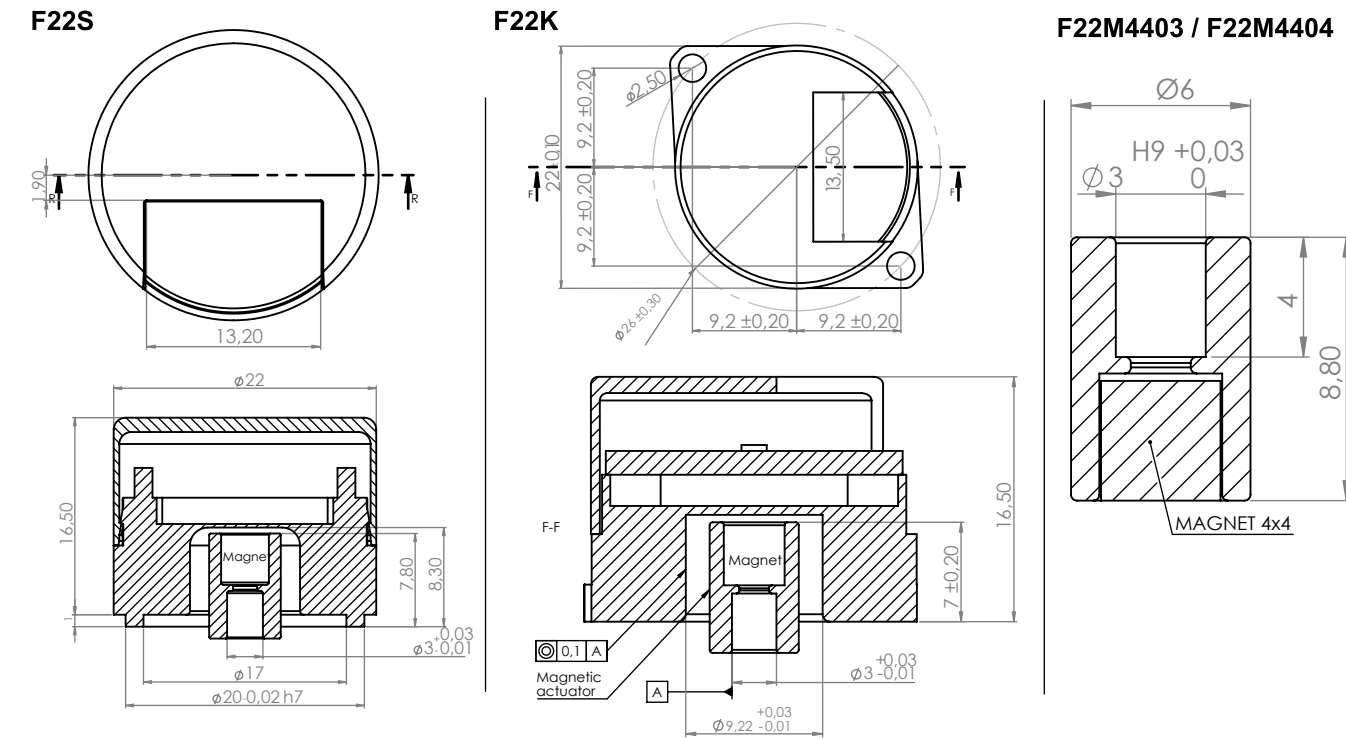
Core colour	Signals
blue	Clock+
blue-black	Clock-
orange	Data+
orange-black	Data-
white	0 V
brown	+Vs

Connector
Please consult the factory

Pulse Diagram



Mechanical Dimensions



Encoder Part Number

