

FNC F40H Series



Features

- Hollow Shaft
- Robust Mechanical and Electrical Construction
- Differential RS 422 Output Signals
- 2500 ppr resolution

Technical data - Mechanical Ratings

Protection	IP54
Materials	Housing : Delrin Shaft :Stainless steel
Housing diameter:	40 mm
Shaft diameter:	10 mm
Operating temperature	-40 to +125 °C
Weight approx.	55 g ± %5

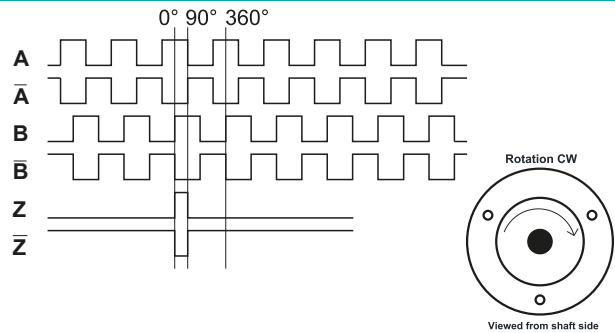
Technical data - Electrical Ratings

Voltage supply	4.75VDC to 30VDC 4.75VDC to 5.5VDC
Protection:	Reverse & over voltage Output short circuit
Consumption w/o load	≤15 mA ≤30 mA for redundancy
Interface	Linedriver RS422
Resolution (steps/turn)	2500
Sensor life time	≥ 50.000.000 cycles
Approval	CE

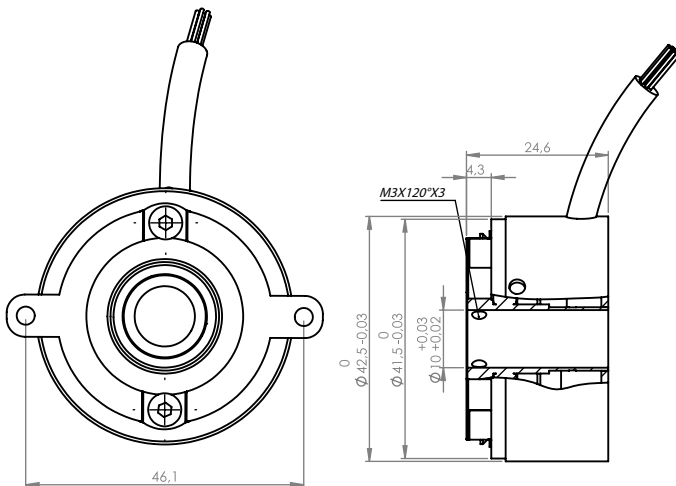
Cable Wiring

Function	Color	Renk	Explanation
+VB	Brown	Kahve	Supply Voltage
GND	White	Beyaz	Ground
A	Green	Yeşil	A Channel
A'	Red	Kırmızı	A Inverted Channel
B	Yellow	Sarı	B Channel
B'	Pink	Pembe	B Inverted Channel
Z	Gray	Gri	Z Channel
Z'	Blue	Mavi	Z Inverted Channel
Shield	Black	Siyah	Shield

Pulse Diagram



Mechanical Dimensions



Encoder Part Number

FNC	40	H	5	4	5V	1000	- R1
Housing 40 : 40 mm							
Flange Type H : Hollow Shaft							
Shaft Diameter 4, 5, 6 mm							
Output Channels 1 : A 2 : AB 3 : ABZ 4 : AB + A' B' 6 : ABZ + A' B' Z'							
					Electrical Connections R1 : 1 meter cable Connector is optional		
					PPR Options 500, 512, 625, 1000, 1024 1250, 2000, 2048, 2500		
					Supply Voltage 5V : 5V in / out 30V : 5 - 30V in / out		