

Rotary Potentiometers

FNC FRPK Series



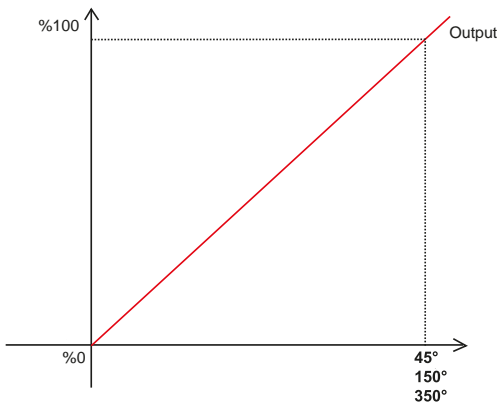
Features

- Hollow shaft
- Better than 0.1° resolution
- Linearity up to $\pm 0.25\%$
- Long lifetime
- Robust
- With 2 mounting holes diameter D: 38 mm

Technical data - electrical ratings

Total Resistance	1, 5 or 10 k Ω
Interface	Analog output
Resistance tolerance	$\pm 20\%$
Linearity	up to $\pm 0.25\%$
Electrical travel range	45, 60, 120, 150, 350

Output Functions

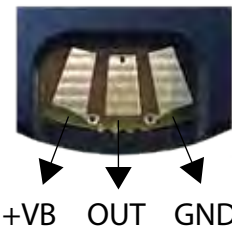


Technical data - mechanical design

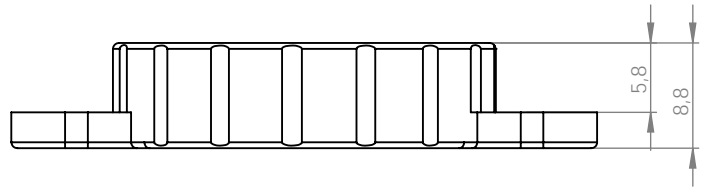
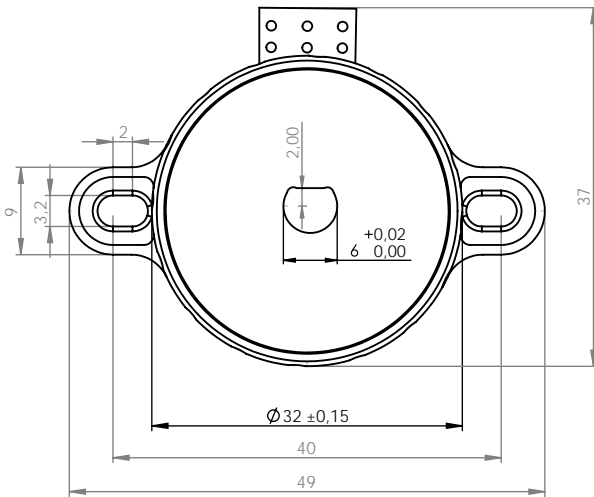
Dimensions	\varnothing 32mm Thickness : 8,8 mm
Materials	Housing : Pom Shaft : Pom
Shaft diameter:	6, 8 mm

Cable Wiring / Connector

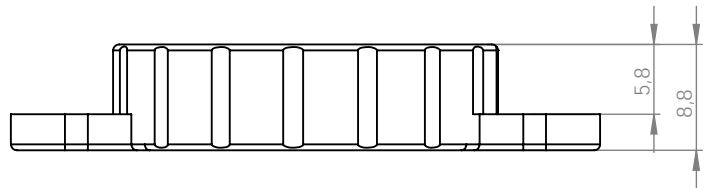
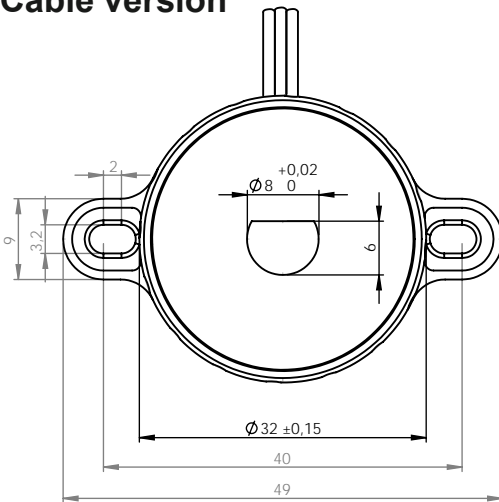
Function	Color	Renk	Farbe	Цвет	颜色
+VB	Red	Kırmızı	Rot	Красный	红色的
OUT	Green	Yeşil	Grün	Зеленый	绿
GND	Black	Siyah	Schwarz	Черный	黑色的



Mechanical Dimensions



Cable version



Part Number

FRPK

30

05

K5

P

120

Outer Diameter

Inner Diameter : 4, 5, 6, 8

Resistance

K1: 1 k Ω

K5: 5 k Ω

K10: 10 k Ω

Electrical Angle

45 : 45°

60 : 60°

120 : 120°

150 : 150°

350 : 350°

P: Plastic Housing