

FNC FRPS 20 Series



Features

- Ratiometric analog output, resistive sensing
- Hollow shaft
- $\pm 1\%$ linearity
- Customer specific design
- Excellent repeatability
- Robust Construct on
- Operating temprature $-45\text{ }^{\circ}\text{C} \sim 100\text{ }^{\circ}\text{C}$

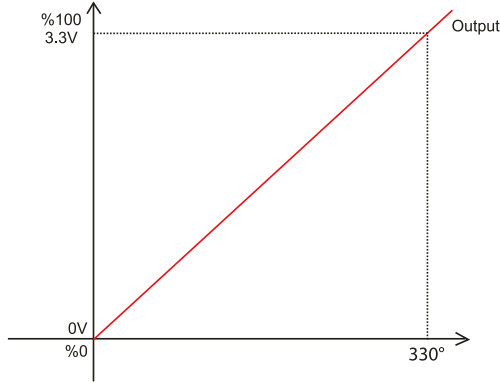
Technical data - electrical ratings

Total Resistance	1 k Ω
Interface	Ratiometric analog output
Resistance tolerance	$\pm 20\%$
Linearity	$\leq \pm 1\%$
Electrical travel range	330 $^{\circ}$

Technical data - mechanical design

Dimensions	$\varnothing 19.25\text{ mm}$ Thickness: 4.8 mm
Materials	Housing : Aluminium Shaft :Aluminium
Shaft diameter:	4 mm

Output Functions



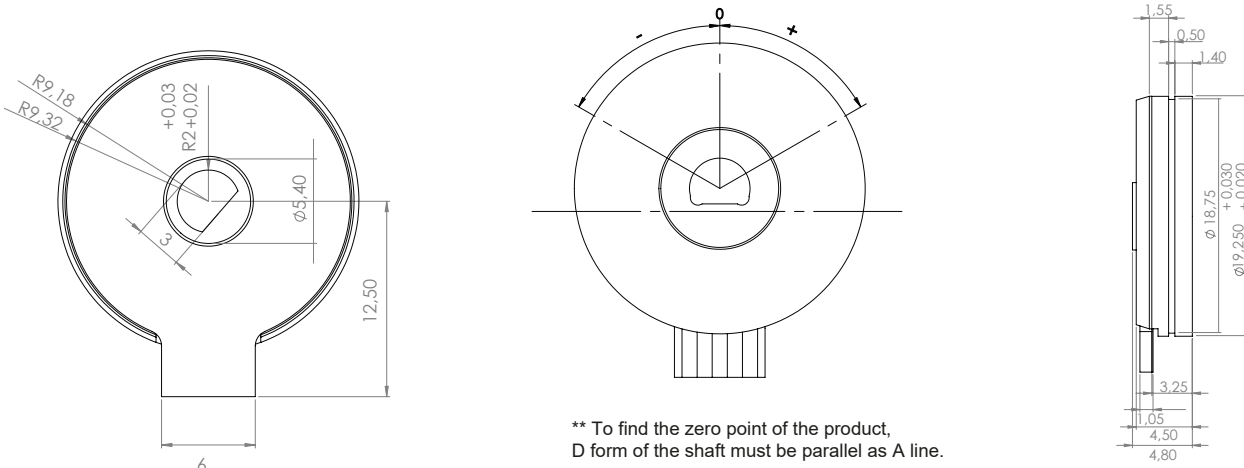
Cable Wiring / Connector

Function	Color	Renk
+VB	Red	Kırmızı
GND	Black	Siyah
Out	Yellow	Sarı

Part Number

FRPS	20	04	K1	M	330
Outer Diameter		Inner Diameter: 4, 5, 6, 8		Resistance	
				K1: 1 k Ω K5: 5 k Ω K10: 10 k Ω	
				Electrical Angle 45: 45 $^{\circ}$ 150: 150 $^{\circ}$ 330: 330 $^{\circ}$	
				M: Metal Housing P: Plastic Housing	

Mechanical Dimensions



** To find the zero point of the product, D form of the shaft must be parallel as A line.