

Linear & Bearingless encoders

Resolution 1...4096 pulses



FNC MBI44 Series



Features

- On-axis incremental rotary encoder
- Robust mechanical and electrical construction
- Protection up to IP67
- Up to 4096 ppr max.
- <300 kHz frequency
- Magnetic system

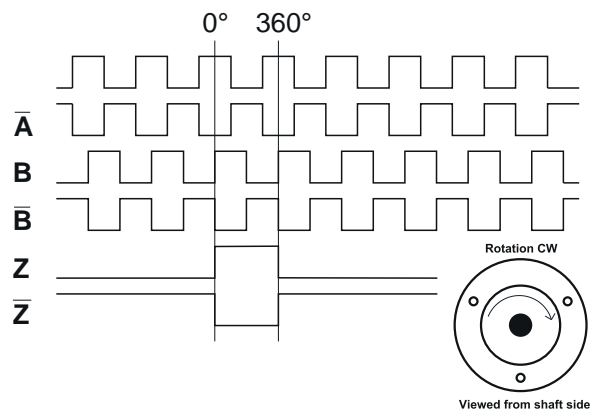
Technical data-electrical ratings

Voltage supply	4.75VDC to 30VDC 4.75VDC to 5.5VDC
Protection	Output short circuit protection. Reverse polarity protection (except 5V version)
Consumption w/o load	≤60 mA (24 VDC)
Resolution (steps/turn)	1...4096 ppr
Reference signal	Zero pulse, width 90° 180°, 360° optional
Output frequency	>200 kHz
Output signals	90° shifted A and B, Z+ inverted
Output circuit	Linedriver / RS422 Push-pull short-circuit proof NPN Open Collector
Interference immunity	DIN EN 61000-6-2
Emitted interference	DIN EN 61000-6-4
Approval	CE

Technical data-mechanical ratings

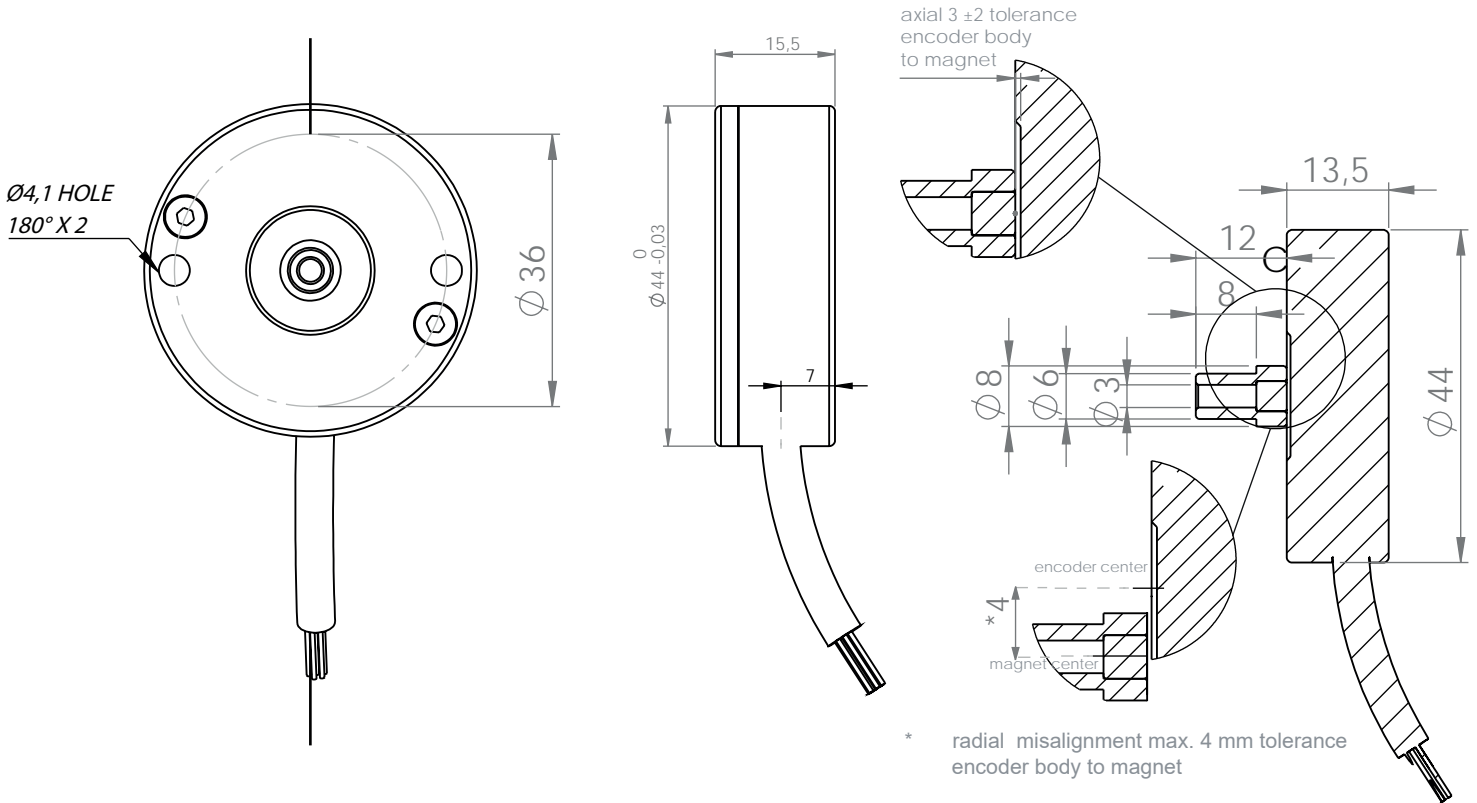
Dimensions (flange)	Ø44 mm
Protection DIN EN 60529	IP54, IP65
Operating speed	≤10.000 rpm
Materials	Housing: aluminum
Operating temperature	-20...+85°C
Storage temperature	-30°C up to +90°C
Weight approx.	350 g

Pulse Diagram

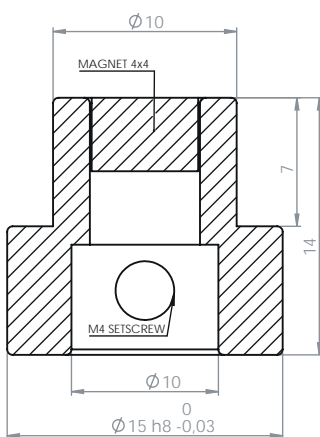


FNC MBI44 Series

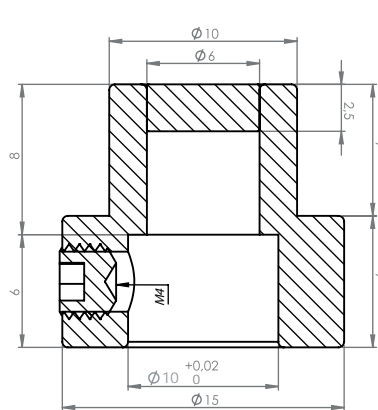
Mechanical Dimensions



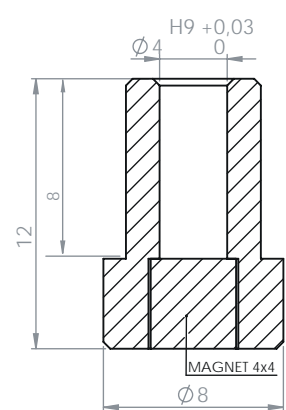
MHB1044



MHB10625



MHM04



Incremental encoders

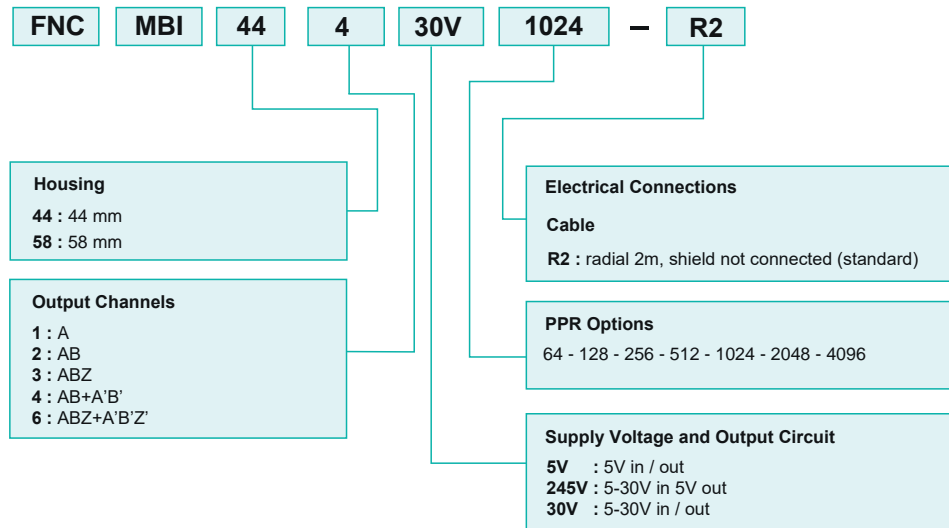
Cable Wiring, Part Number

FNC MBI44 Series

Cable Connection

Function	Color	Renk	Farbe	Цвет	颜色
+VB	● Brown	Kahve	Braun	Коричневый	棕色的
GND	○ White	Beyaz	Weiß	Белый	白色的
A	● Green	Yeşil	Grün	Зеленый	绿
A'	● Red	Kırmızı	Rot	Красный	红色的
B	● Yellow	Sarı	Gelb	Желтый	黄色的
B'	● Pink	Pembe	Rosa	Розовый	粉色的
Z	● Gray	Gri	Grau	Серый	灰色的
Z'	● Blue	Mavi	Blau	Синий	蓝色的
Shield	Black	Siyah	Schwarz	Чернить	黑色的

Encoder Part Number



Magnet Holder Part Number

- MHM04** : Magnet Holder Medium Version
MHB1044 : Magnet Holder for M6x2,5 magnet
MHB10625 : Magnet Holder Big Version