

# Linear & Bearingless encoders

## Current / voltage output

## FNC MBAA44 Analog Output Series



### Features

- Robust mechanical and electrical construction
- Magnetic system
- Protection up to IP67

### Output Options :

- 0-10 VDC Voltage
- 0-5 VDC Voltage
- 4-20 mA Current

### Technical data - electrical ratings

Voltage supply	12VDC to 30VDC 4.75VDC to 5.5VDC
Protection:	Output short circuit protection. Reverse polarity protection ( except 5V version )
Consumption w/o load	≤60 mA (24 VDC)
Output signals	0-10VDC Voltage output 1-5VDC Voltage output 4-20mA current output
Absolute accuracy	≤ 0.05°
Output frequency	>200 kHz
Output circuit	Linedriver/RS422 Push-pull short-circuit proof NPN Open Collector
Interference immunity	DIN EN 61000-6-2
Emitted interference	DIN EN 61000-6-4
Approval	CE

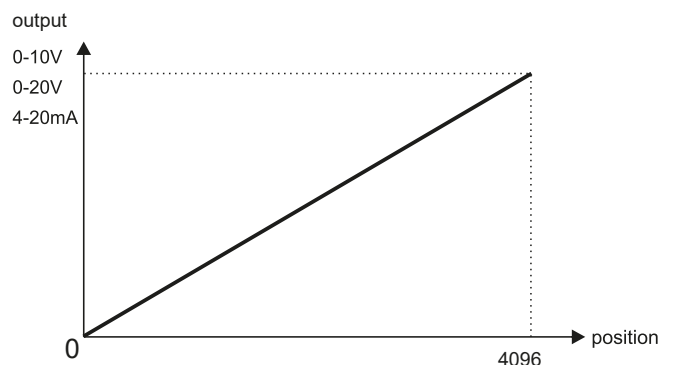
### Cable Wiring

Function	Color	Renk	Explanation
+VB	Brown	Kahve	Supply voltage
GND	White	Beyaz	Ground
V	Green	Yeşil	Voltage output
A	Red	Kırmızı	Current output

### Technical data - mechanical design

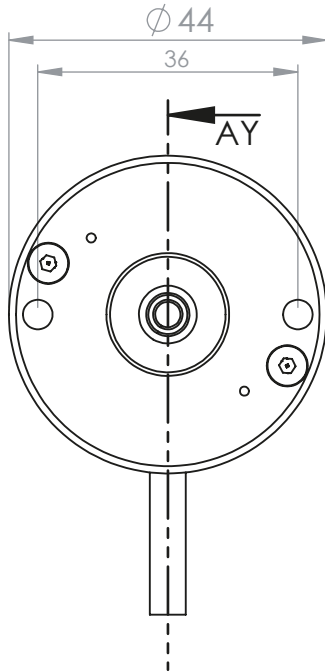
Dimensions	ø44
Protection DIN EN 60529	IP54, IP65, IP67
Operating speed	≤10000 rpm
Starting torque	≤0.025 Nm (IP 67)
Materials	Aluminum
Magnet options	MHB10AA, MHB10625, MHM04
Operating temperature	-20...+85 °C
Storage temperature	-40...+85°C
Weight approx.	110 g

### Pulse Diagram

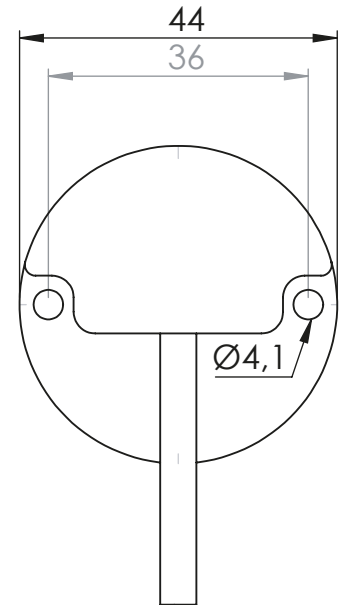


## FNC MBAA44 Analog Output Series

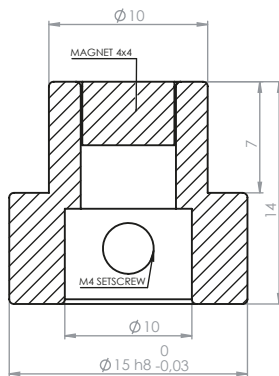
### Mechanical Dimensions



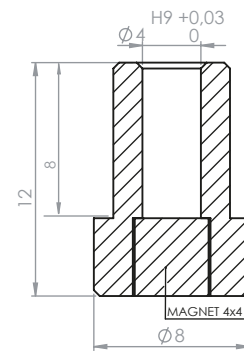
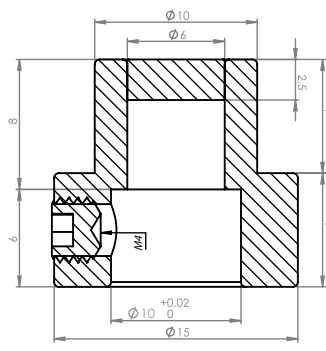
MHB1044



MHM04



MHB10625



### Encoder Part Number

FNC MBAA 44 C1 P00 30V - R2

**MBAA** : Magnetic Bearingless Absolute Analog

**Housing:**  
44 : 44 mm

**Output type**  
C1 : 4-20mA current  
V1 : 0-10V voltage  
V2 : 0-5V voltage

**Electrical Connections:**  
Cable  
R2 : radial 2m, shield not connected (standart)

**Supply Voltage:**  
5V : 5V in/out 30V : 5-30V in/out

**Output position**  
P00 : 360° position angle  
P180 : 180° position angle  
P90 : 90° position angle  
P45 : 45° position angle

### Magnet Holder Part Number

**MHM04** : Magnet Holder Medium Version

**MHB1044** : Magnet Holder for M6x2,5 magnet

**MHB10625** : Magnet Holder Big Version