

FNC MBAS44 Series



Features

- On-axis absolute SSI encoder
- Robust mechanical and electrical construction
- Corrosion resistant magnetic ring
- Up to 12 bit resolution
- <300 kHz frequency
- Magnetic system

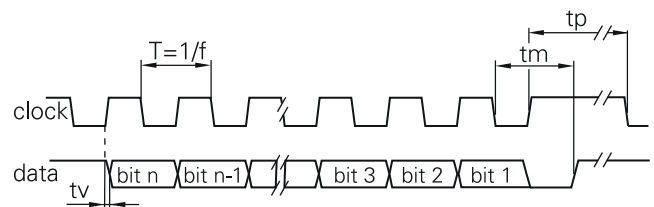
Technical data-electrical ratings

Voltage supply	5.5VDC to 30VDC 4.75VDC to 5.5VDC
Protection:	Output short circuit protection. Reverse polarity protection (except 5V version)
Consumption w/o load	≤50 mA (24 VDC)
Interface	SSI
Resolution (steps/turn)	12 bit
Absolute accuracy	Magnetic: ±0,1°
Optoelectronic life time	100.000 (min)
Code	binary
Inputs	SSI differential clock Electronic zero setting
Output frequency	up to 2MHz (SSI)
Output circuit	SSI data linedriver RS485
Interference immunity	DIN EN 61000-6-2
Emitted interference	DIN EN 61000-6-4
Approval	CE

Technical data-mechanical ratings

Dimensions (flange)	Ø44 mm
Protection DIN EN 60529	IP54, IP65
Operating speed	≤10.000 rpm
Materials	Housing: aluminum
Operating temperature	-20...+85°C
Storage temperature	-30°C up to +90°C
Weight approx.	350 g

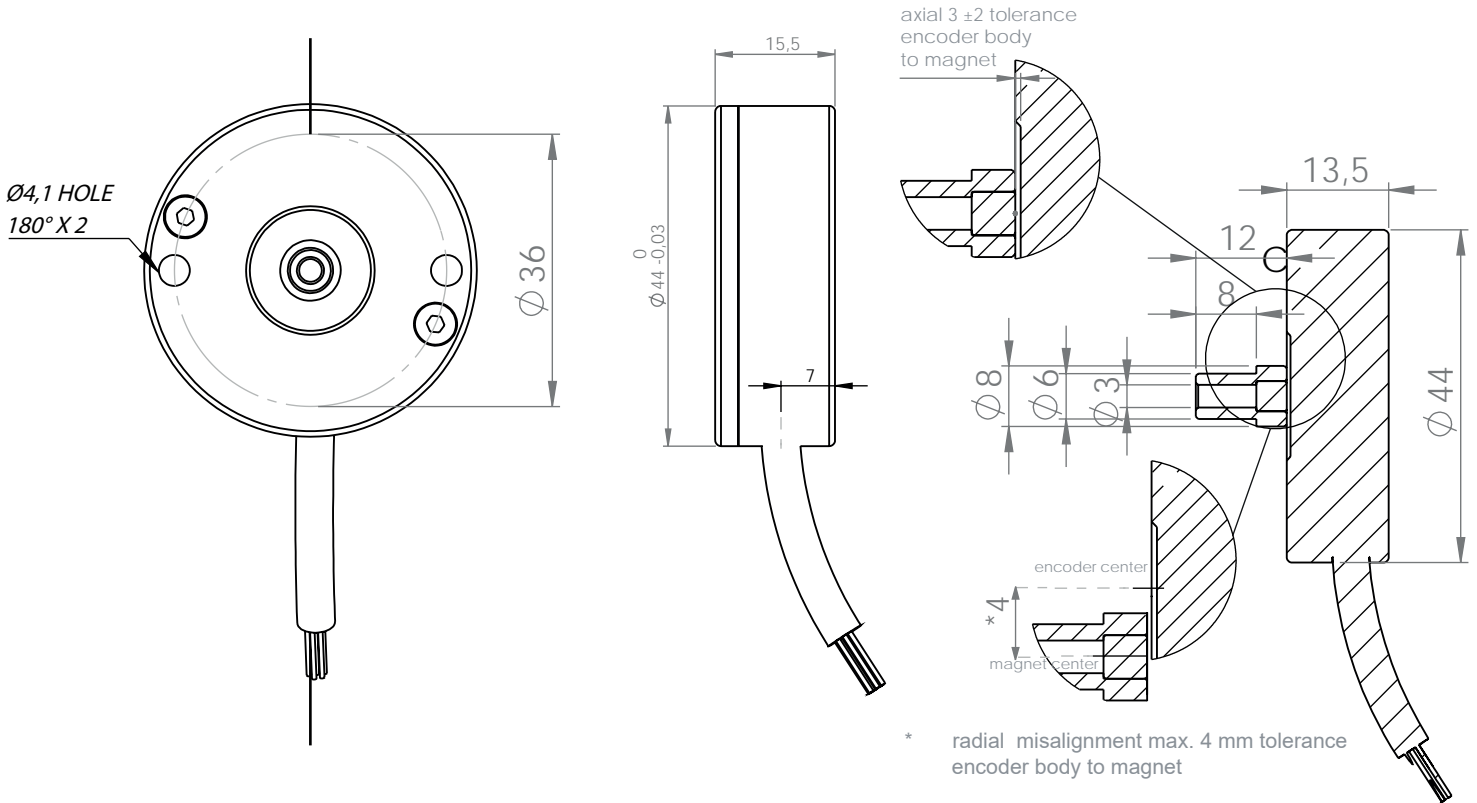
Pulse Diagram



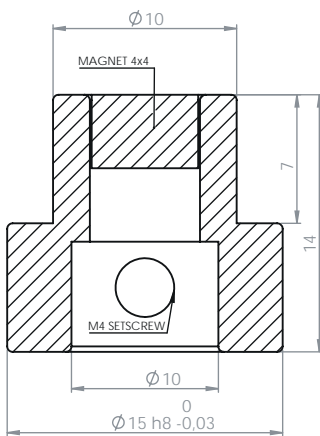
Clock frequency, f	50...2000 kHz for SSI
Code	Binary or gray
Status and parity bit	On request
Monoflop time tm	>15µs
Clock time out	Programmable at factory

FNC MBAS44 Series

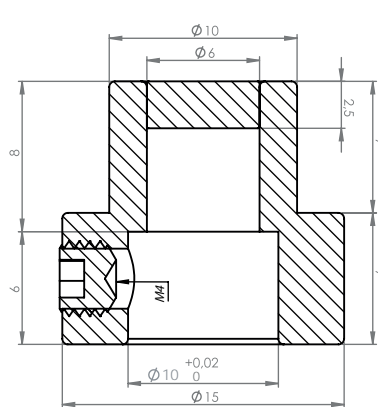
Mechanical Dimensions



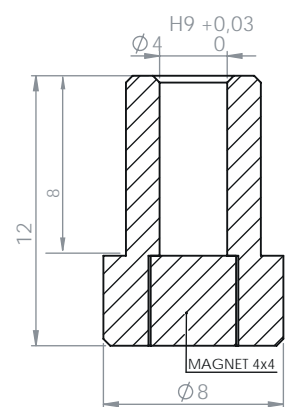
MHB1044



MHB10625



MHM04









Linear & Bearingless encoders

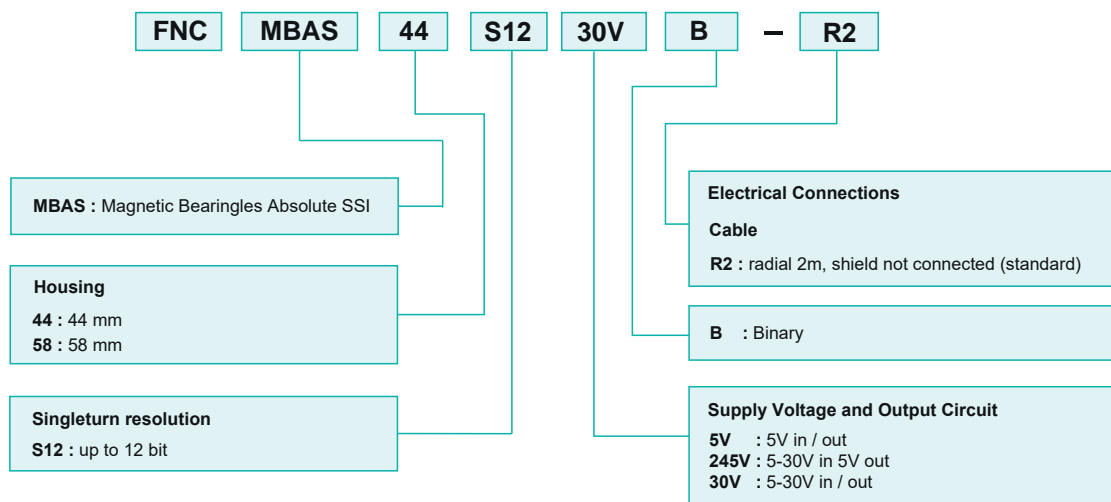
Cable Wiring, Part Number

FNC MBAS44 Series

Cable Connection

Function	Color	Renk	Farbe	Цвет
+VB	 Brown	Kahve	Braun	Коричневый
GND	 White	Beyaz	Wei	Белый
DATA+	 Orange	Turuncu	Orange	Оранжевый
DATA-	 Orange-Black	Turuncu-Siyah	Orange-Schwarz	Оранжево-черный
CLOCK-	 Blue	Mavi	Gelb	синий
CLOCK+	 Blue-Black	Mavi-Siyah	Gelb-Schwarz	сине-черный
Shield	Black	Siyah	Schwarz	Чернить

Encoder Part Number



Magnet Holder Part Number

- MHM04** : Magnet Holder Medium Version
MHB1044 : Magnet Holder for M6x2,5 magnet
MHB10625 : Magnet Holder Big Version