

Incremental encoders

Singleturn up to 21 bit



FNC MRS104 Incremental Series



Features

- **Bearingless encoders**
- **Robust mechanical and electrical construction**
- **Protection to IP65**
- **Up to 65,536 ppr resolution**

Technical data-electrical ratings

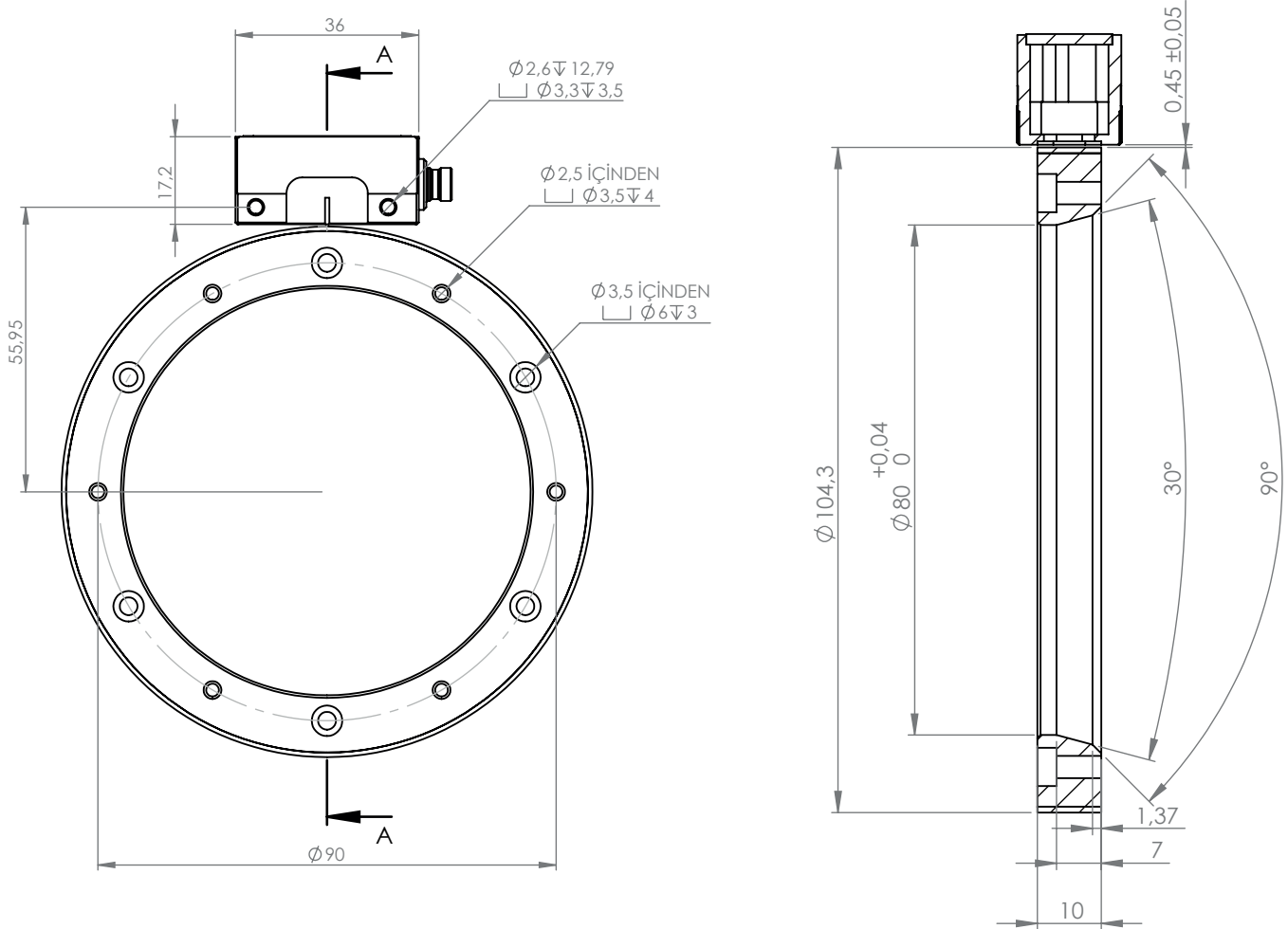
Voltage supply	4.75VDC to 5.5VDC
Protection	Output short circuit protection
Consumption w/o load	≤100 mA
Resolution (steps/turn)	up to 65,536 ppr
Reference signal	Zero pulse width 90°, 180°, 360° optional
Output signals	90° shifted A, B, Z & inverted
Output circuit	Linedriver / RS422 Push-pull short-circuit proof
Interference immunity	DIN EN 61000-6-2
Emitted interference	DIN EN 61000-6-4
Approval	CE

Technical data-mechanical ratings

Diameter	Mounting hole : Ø90 mm Inner diameter : Ø80 mm Outer diameter : Ø104 mm
Travel speed	≤10,000 rpm
Materials	Ring : stainless steel
System accuracy	0.05°
Operating temperature	-40...+85°C (+125°C on request)
Storage temperature	-45... +85°C (+125°C on request)
Weight approx.	250 g

FNC MRS104 Incremental Series

Mechanical Dimensions









Incremental encoders

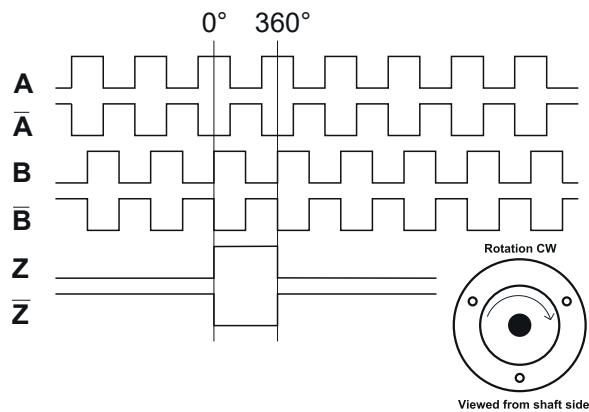
Cable / Connector Wiring, Part Number

FNC MRS104 Incremental Series

Cable Connection

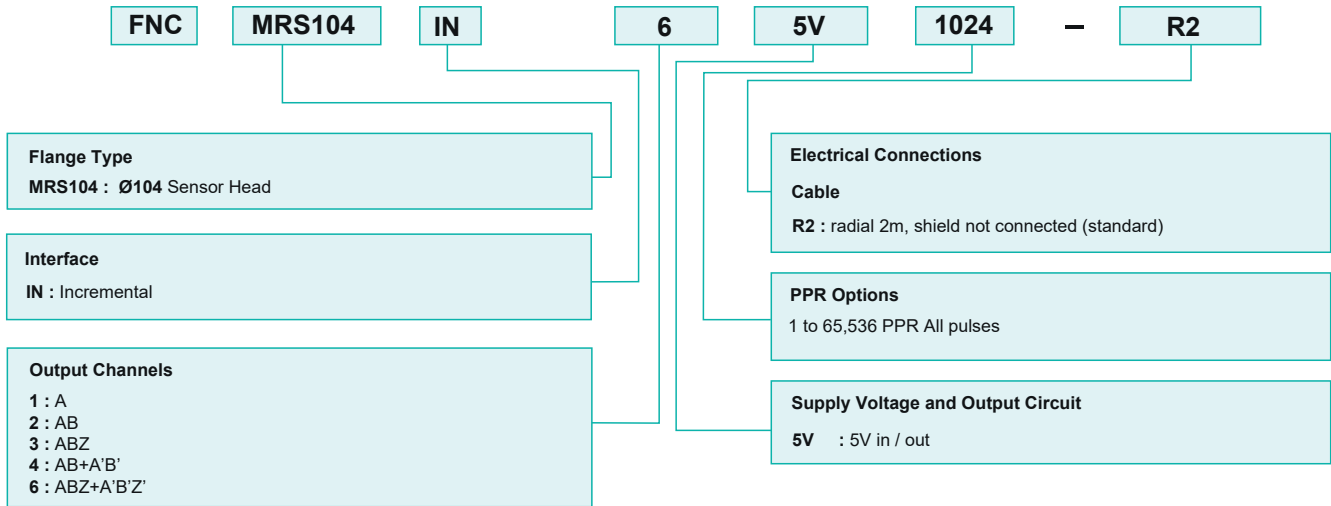
Function	Color	Renk	Farbe	Цвет	颜色	
+VB		Brown	Kahve	Braun	Коричневый	棕色的
GND		White	Beyaz	Weiß	Белый	白色的
A		Green	Yeşil	Grün	Зеленый	绿
A'		Red	Kırmızı	Rot	Красный	红色的
B		Yellow	Sarı	Gelb	Желтый	黄色的
B'		Pink	Pembe	Rosa	Розовый	粉色的
Z		Gray	Gri	Grau	Серый	灰色的
Z'		Blue	Mavi	Blau	Синий	蓝色的
Shield		Black	Siyah	Schwarz	Чернить	黑色的

Pulse Diagram



FNC MRS104 Incremental Series

Encoder Part Number for Sensor Head



Encoder Part Number for Magnetic Ring

