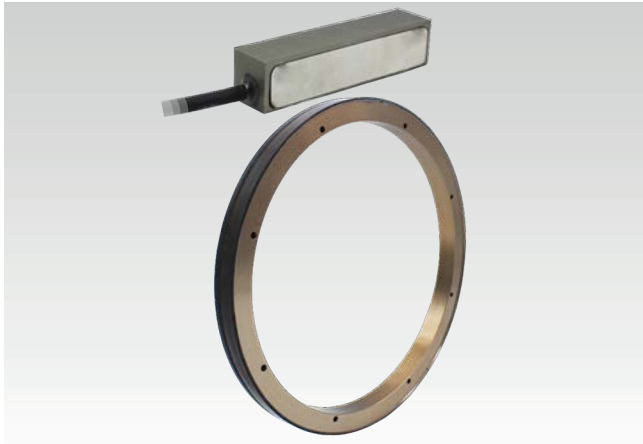


# Incremental encoders

Singleturn up to 21 bit



## FNC MRS207 Incremental Series



### Features

- **Bearingless encoders**
- **Robust mechanical and electrical construction**
- **Protection to IP65**
- **Up to 65,536 ppr resolution**

### Technical data-electrical ratings

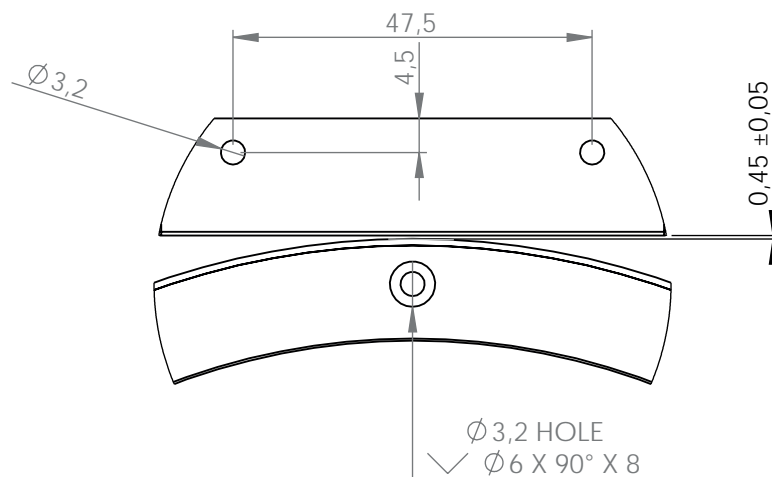
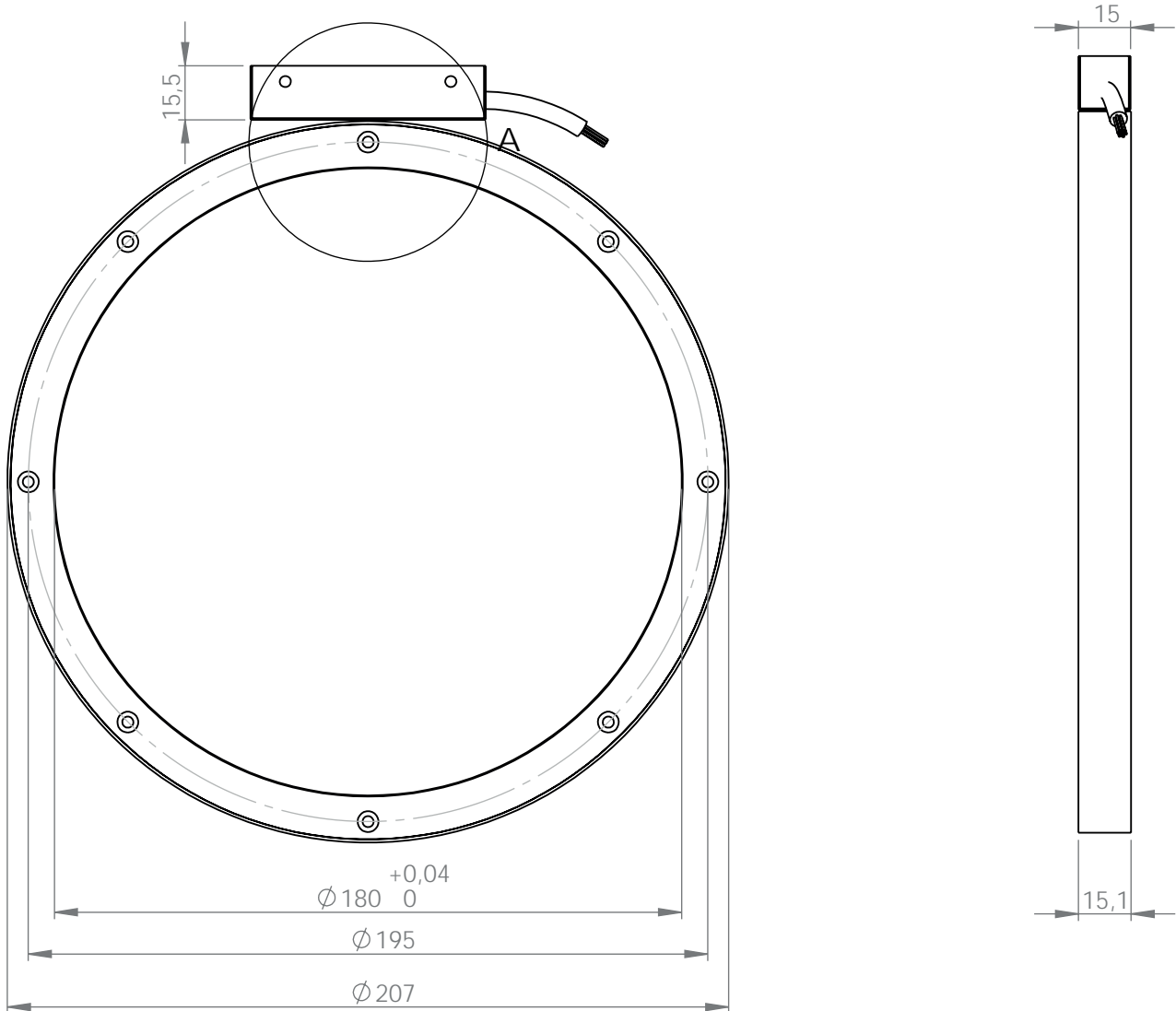
Voltage supply	4.75VDC to 5.5VDC
Protection	Output short circuit protection
Consumption w/o load	≤100 mA
Resolution (steps/turn)	up to 65,536 ppr
Reference signal	Zero pulse width 90°, 180°, 360° optional
Output signals	90° shifted A, B, Z & inverted
Output circuit	Linedriver / RS422 Push-pull short-circuit proof
Interference immunity	DIN EN 61000-6-2
Emitted interference	DIN EN 61000-6-4
Approval	CE

### Technical data-mechanical ratings

Diameter	Mounting hole : Ø195 mm Inner diameter : Ø180 mm Outer diameter : Ø207 mm
Travel speed	≤10,000 rpm
Materials	Ring : stainless steel
System accuracy	0.05°
Operating temperature	-40...+85°C (+125°C on request)
Storage temperature	-45... +85°C (+125°C on request)
Weight approx.	250 g

### FNC MRS207 Incremental Series

#### Mechanical Dimensions










# Incremental encoders

Cable / Connector Wiring, Part Number

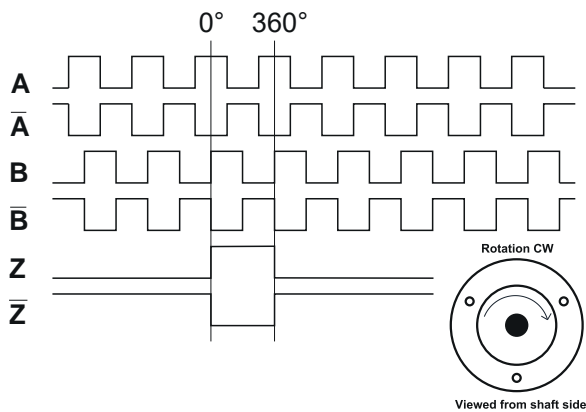


## FNC MRS207 Incremental Series

### Cable Connection

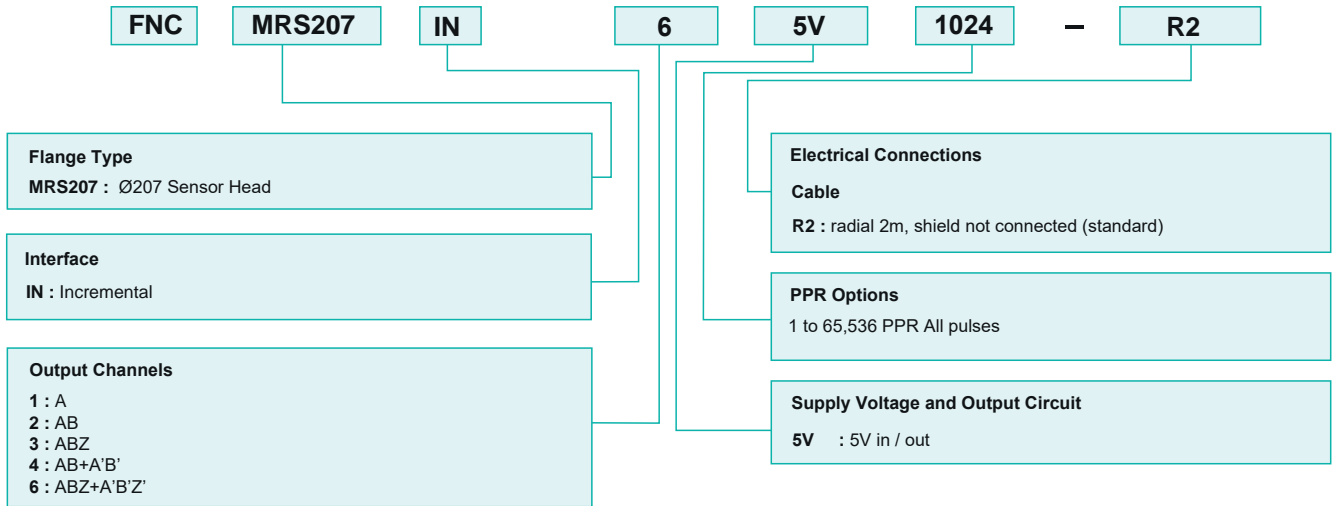
Function	Color	Renk	Farbe	Цвет	颜色
+VB	 Brown	Kahve	Braun	Коричневый	棕色的
GND	 White	Beyaz	Weiß	Белый	白色的
A	 Green	Yeşil	Grün	Зеленый	绿
A'	 Red	Kırmızı	Rot	Красный	红色的
B	 Yellow	Sarı	Gelb	Желтый	黄色的
B'	 Pink	Pembe	Rosa	Розовый	粉色的
Z	 Gray	Gri	Grau	Серый	灰色的
Z'	 Blue	Mavi	Blau	Синий	蓝色的
Shield	Black	Siyah	Schwarz	Чернить	黑色的

### Pulse Diagram



### FNC MRS207 Incremental Series

#### Encoder Part Number for Sensor Head



#### Encoder Part Number for Magnetic Ring

