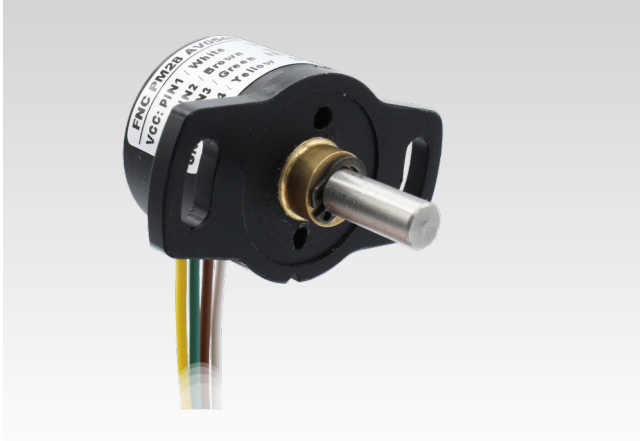


Contactless Rotary Potentiometer

FNC PM28 Series



Features

- Designed for motor feedback applications
- Non-contact magnetic technology
- 28 mm diameter body
- Long life
- Compact dimensions

Technical data - electrical ratings

Voltage supply	7.5 - 31VDC \pm %5
Resolution (steps/turn) :	One per revolution

Technical data - mechanical design

Dimensions	\varnothing 28 mm
Mount Diameter	38 mm
Materials	Housing: ABS (plastic)

Applications

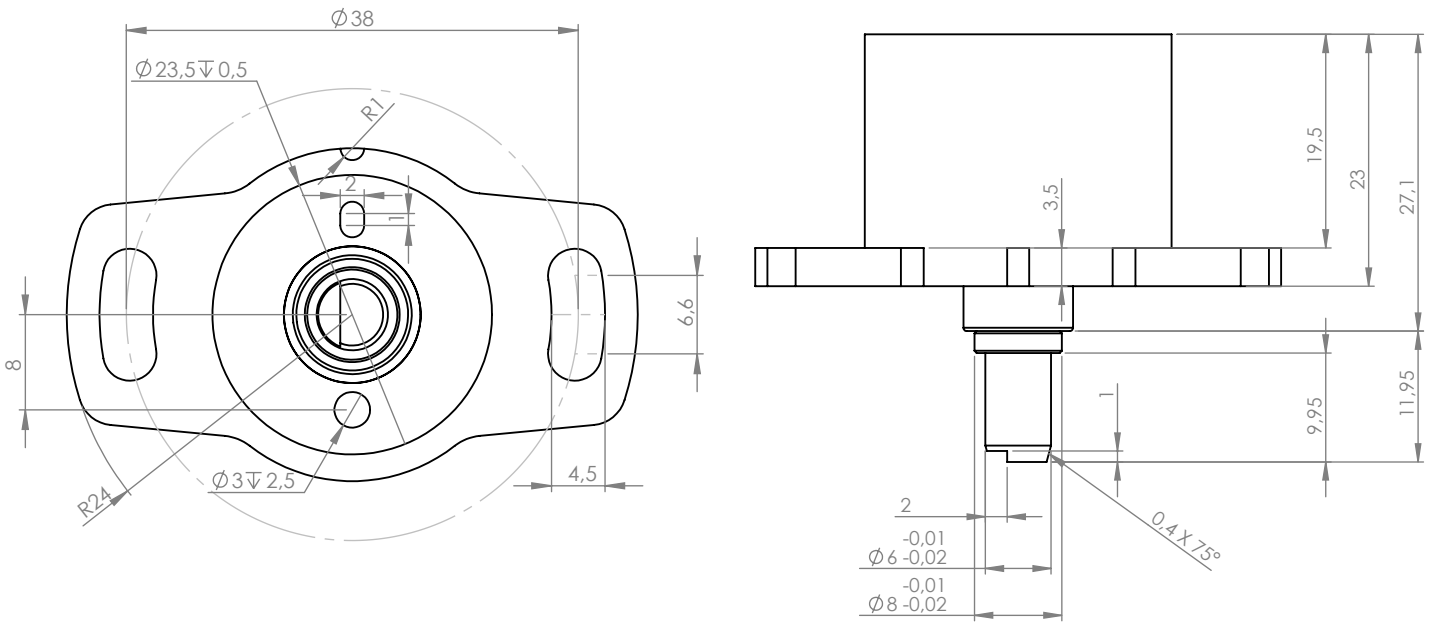
- Harvester
- Fork-lift
- Operating table
- Hydraulic pump

Contactless Rotary Potentiometer

FNC PM28 Series

Mechanical Dimensions

3 6 mm shaft, 1 mm notch version 6L12

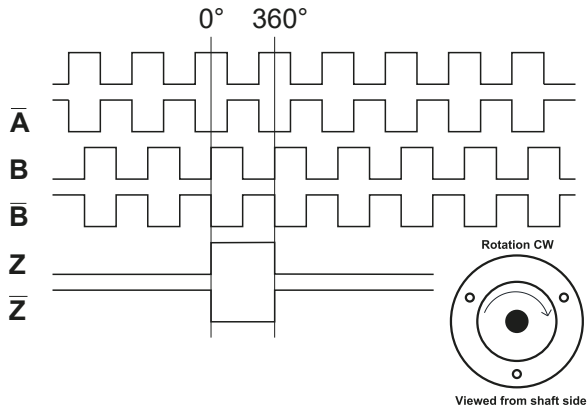


Contactless Rotary Potentiometer

FNC PM28 Series



Pulse Diagram for Incremental



Cable Connection for Incremental

Function	Color	Renk
+VB		Brown Kahve
GND		White Beyaz
A		Green Yeşil
A'		Red Kırmızı
B		Yellow Sarı
B'		Pink Pembe
Z		Gray Gri
Z'		Blue Mavi
Shield		Black Siyah

Encoder Part Number for Incremental

