

Contactless Rotary Potentiometer

FNC PM28 Series



Features

- Designed for motor feedback applications
- Non-contact magnetic technology
- 28 mm diameter body
- Long life
- Compact dimensions

Technical data - electrical ratings

Voltage supply	7.5 - 31VDC \pm %5
Resolution (steps/turn) :	One per revolution

Technical data - mechanical design

Dimensions	\varnothing 28 mm
Mount Diameter	38 mm
Materials	Housing: ABS (plastic)

Applications

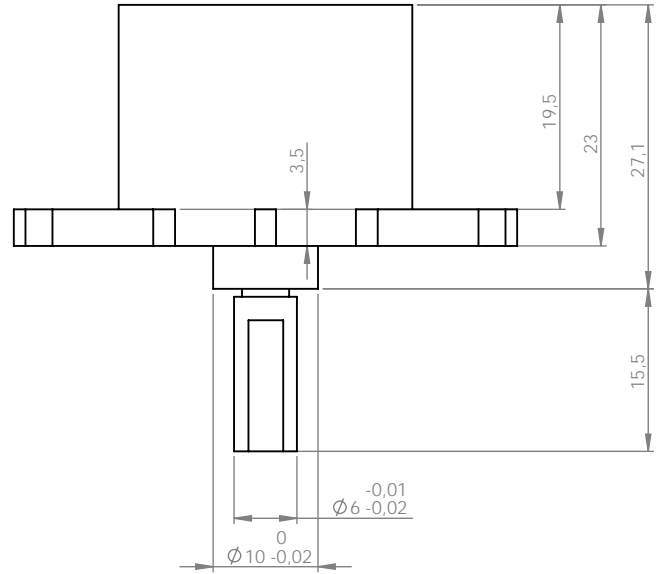
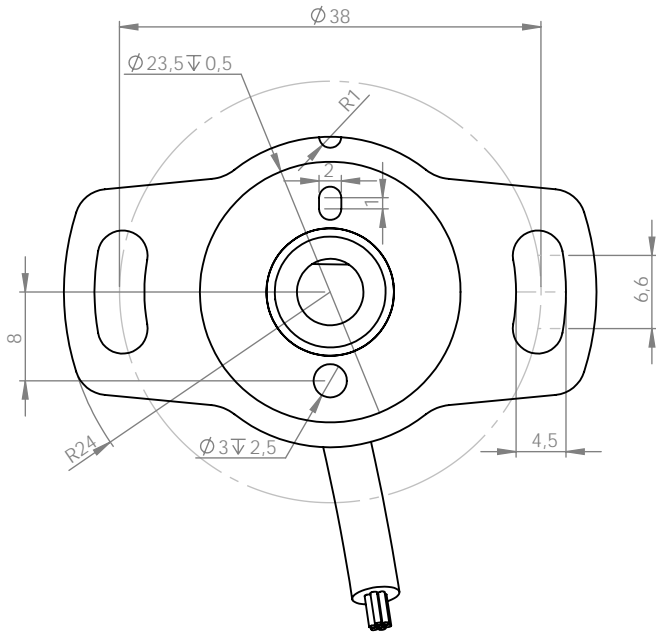
- Harvester
- Fork-lift
- Operating table
- Hydraulic pump

Contactless Rotary Potentiometer

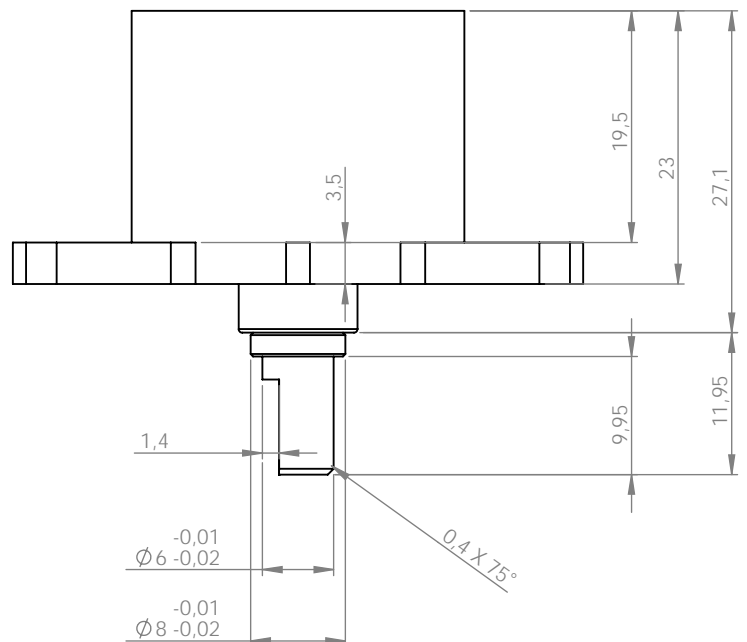
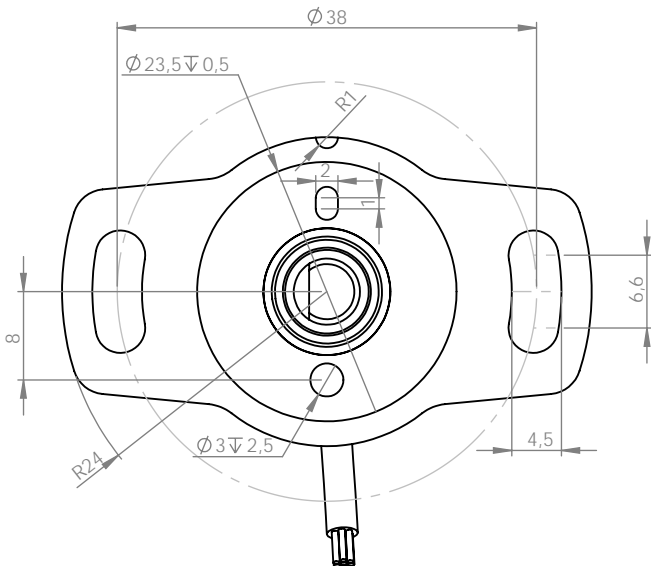
FNC PM28 Series

Mechanical Dimensions

1 6 mm D form shaft version



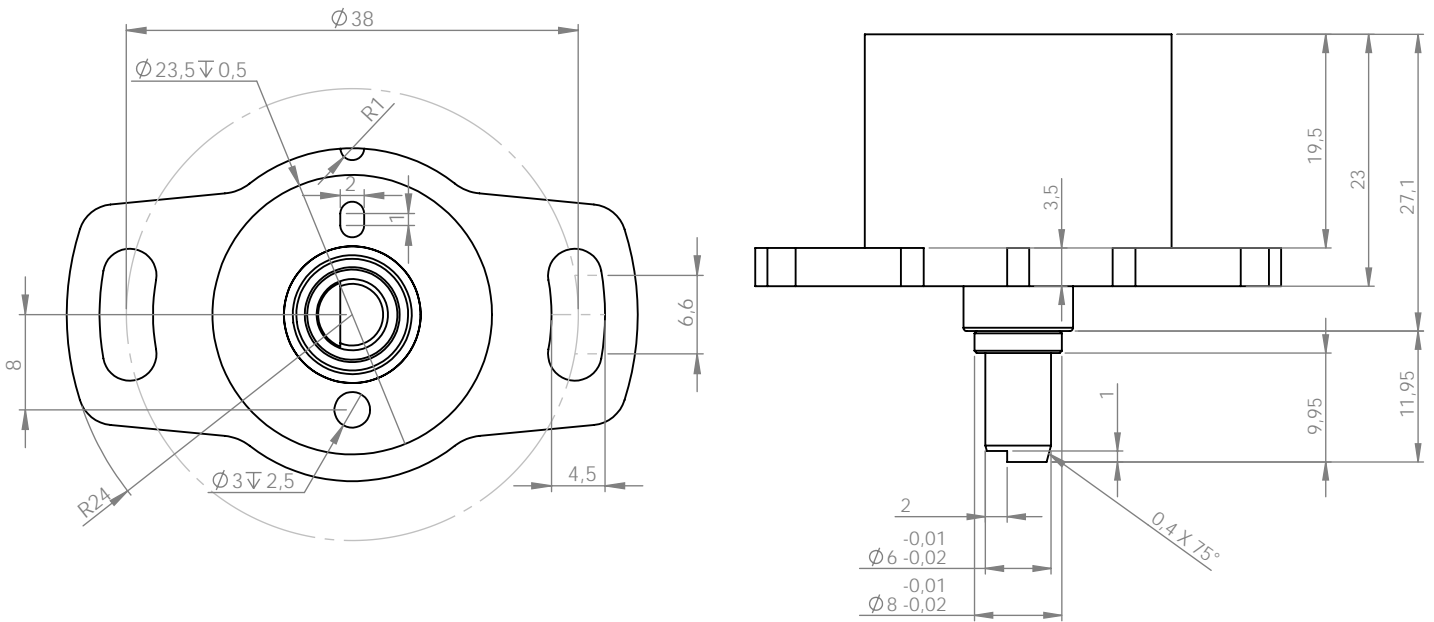
2 6 mm shaft, 8 mm notch version 6L12



FNC PM28 Series

Mechanical Dimensions

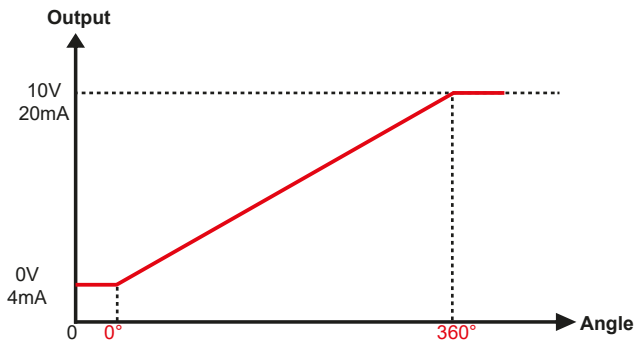
3 6 mm shaft, 1 mm notch version 6L12



Contactless Rotary Potentiometer

FNC PM28 Series

Pulse Diagram for Analog



Cable Connection for Analog

Function	Color	Pin
Supply	○ White	pin 1
A	● Brown	pin 2
V	● Green	pin 3
GND	● Yellow	pin 4



Encoder Part Number for Analog

