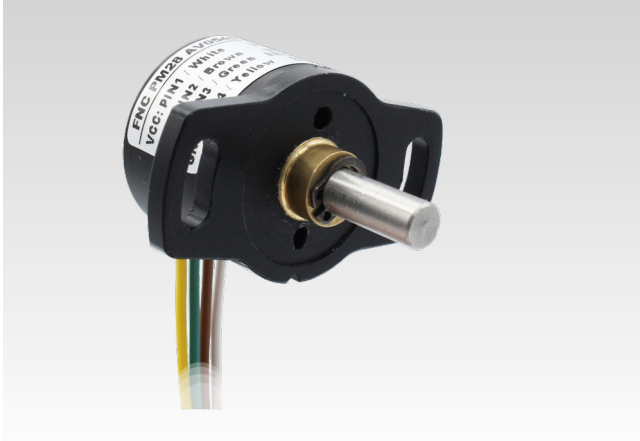


# Contactless Rotary Potentiometer

## FNC PM28 Series



### Features

- Designed for motor feedback applications
- Non-contact magnetic technology
- 28 mm diameter body
- Long life
- Compact dimensions

### Technical data - electrical ratings

Voltage supply	7.5 - 31VDC $\pm$ %5
Resolution (steps/turn) :	One per revolution

### Technical data - mechanical design

Dimensions	$\varnothing$ 28 mm
Mount Diameter	38 mm
Materials	Housing: ABS (plastic)

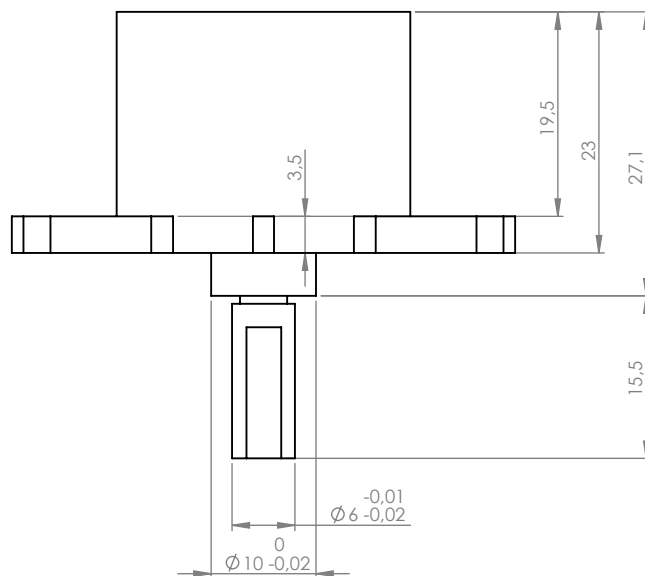
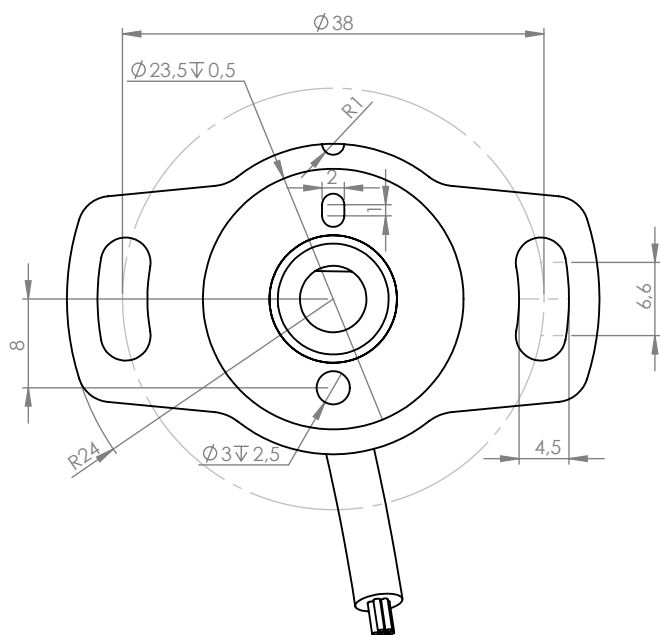
### Applications

- Harvester
- Fork-lift
- Operating table
- Hydraulic pump

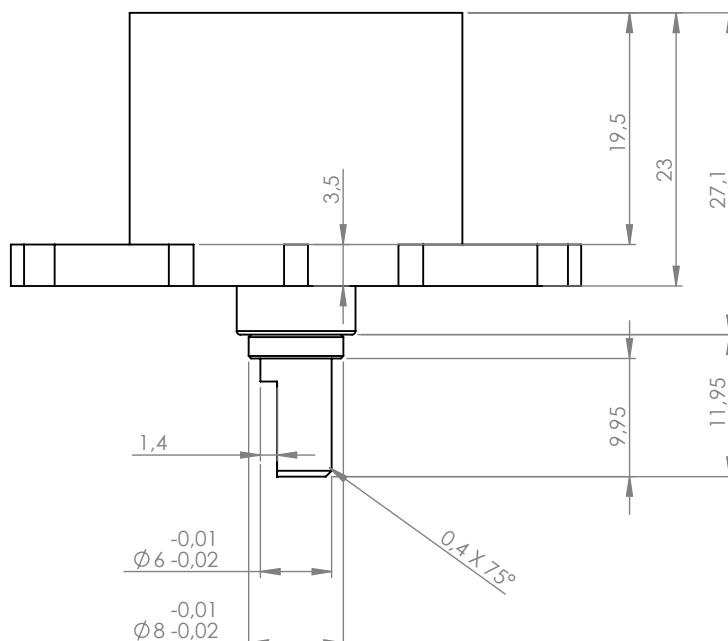
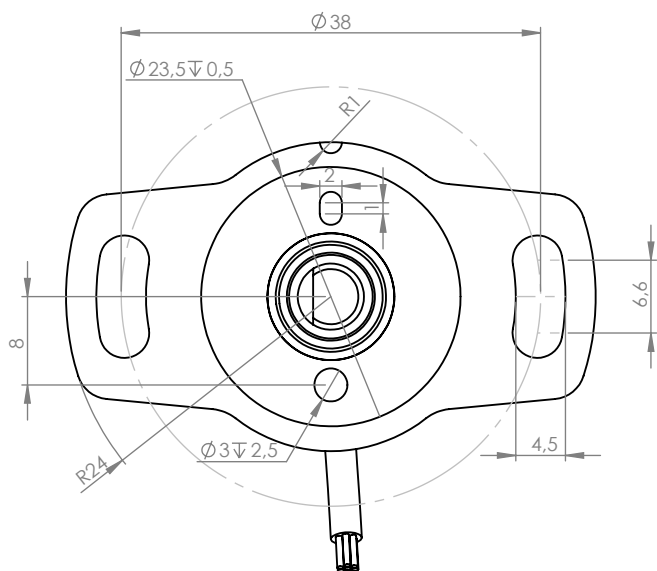
## FNC PM28 Series

### Mechanical Dimensions

#### 1 6 mm D form shaft version



#### 2 6 mm shaft, 8 mm notch version 6L12

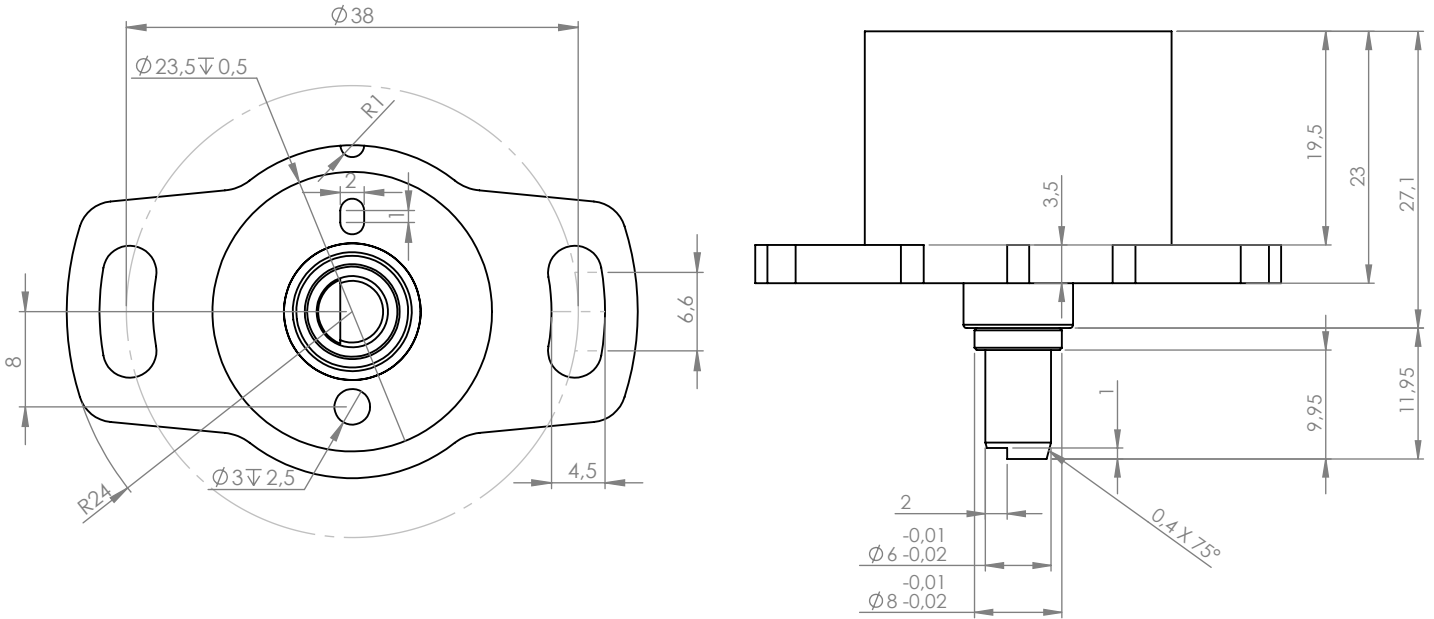


# Contactless Rotary Potentiometer

## FNC PM28 Series

### Mechanical Dimensions

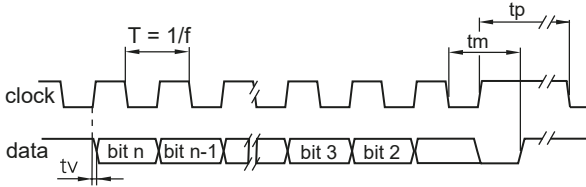
#### 3 6 mm shaft, 1 mm notch version 6L12



# Contactless Rotary Potentiometer

## FNC PM28 Series

### Pulse Diagram for Absolute SSI



Clock frequency, f	50...2000 kHz for SSI
Code	Binary or Gray
Status and parity bit	On request
Monoflop time $t_m$	>15 $\mu$ s
Clock time out	Programmable at factory

### Cable Connection for Absolute SSI

Function	Color	Renk
+VB	Brown	Kahve
GND	White	Beyaz
DATA+	Orange	Turuncu
DATA-	Orange-Black	Turuncu-Siyah
CLOCK-	Blue	Mavi
CLOCK+	Blue-Black	Mavi-Siyah
DIRECTION	Gray-Black	Gri-Siyah
PRESET	Gray	Gri
Shield	Black	Siyah

### Encoder Part Number for Absolute SSI

