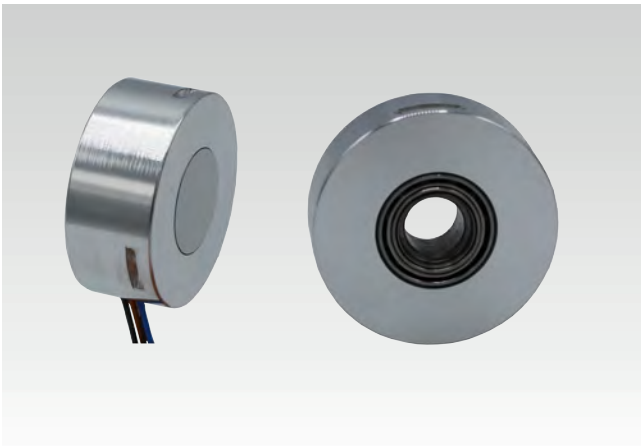


FNC TI 2506 Series



Features

- Industry 25 mm standard size
- Protection up to IP40
- Up to 65.536 ppr max.
- <300 kHz frequency

Technical data-electrical ratings

Voltage supply	4.75VDC to 5.5VDC
Protection	Output short circuit protection. Reverse polarity protection (except 5V version)
Consumption w/o load	≤60 mA (24 VDC)
Resolution (steps/turn)	up to 65.536 ppr
Reference signal	Zero pulse, width 90° 180°, 360° optional
Optoelectronic life time	100.000 (min)
Output frequency	<300 kHz
Output signals	90° shifted A and B, Z+ inverted
Output circuit	Linedriver / RS422 Push-pull short-circuit proof
Interference immunity	DIN EN 61000-6-2
Emitted interference	DIN EN 61000-6-4
Approval	CE

Technical data-mechanical ratings

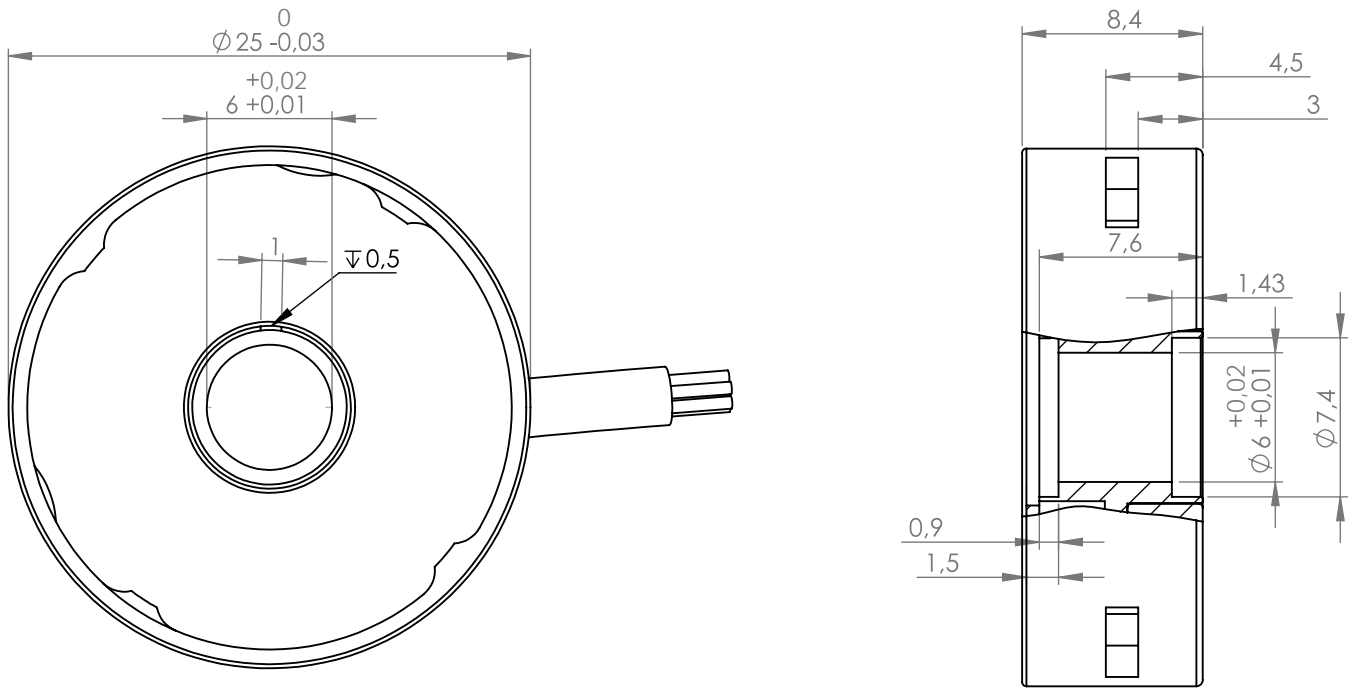
Dimensions (flange)	Ø25 mm
Shaft loading	≤80 N axial ≤100 N radial
Protection DIN EN 60529	IP40
Operating speed	≤10.000 rpm
Starting torque	≤0.025 Nm
Materials	Housing: aluminum Flange: aluminum Shaft: stainless steel
Shaft diameter	6 mm (other diameters on request)
Bearings lifetime	2x10 ⁹ rev. at 100% of full rated shaft load (minimum)
Operating temperature	-40...+85°C
Storage temperature	-40°C up to +90°C
Weight approx.	150 g

Thin section incremental encoders

Mechanical Dimensions

FNC TI 2506 Series

Mechanical Dimensions



Ensure operation in a moisture-free and dust-free environment.

Thin section incremental encoders

Cable / Connector Wiring, Part Number

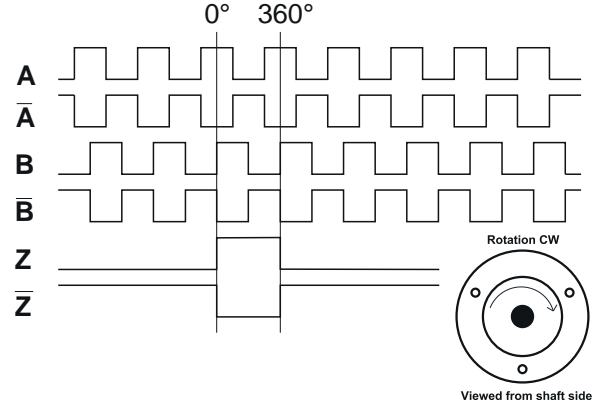


FNC TI 2506 Series

Cable Connection

Function	Color	Renk	
+VB		Brown	Kahve
GND		White	Beyaz
A		Green	Yeşil
A'		Red	Kırmızı
B		Yellow	Sarı
B'		Pink	Pembe
Z		Gray	Gri
Z'		Blue	Mavi
Shield	Black	Siyah	

Pulse Diagram



Encoder Part Number

