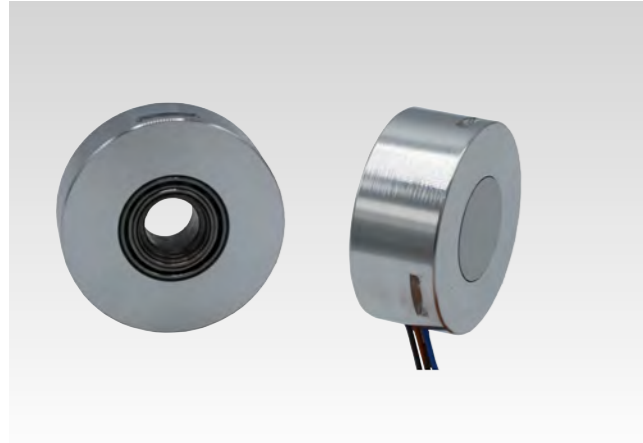


## FNC TI 2506 Series



### Features

- Industry 25 mm standart size, through hollow shaft
- Robust Mechanical and Electrical Construction
- Protection to IP65
- <300 kHz frequency

### PPR Options :

up to 65.536

### Technical data - electrical ratings

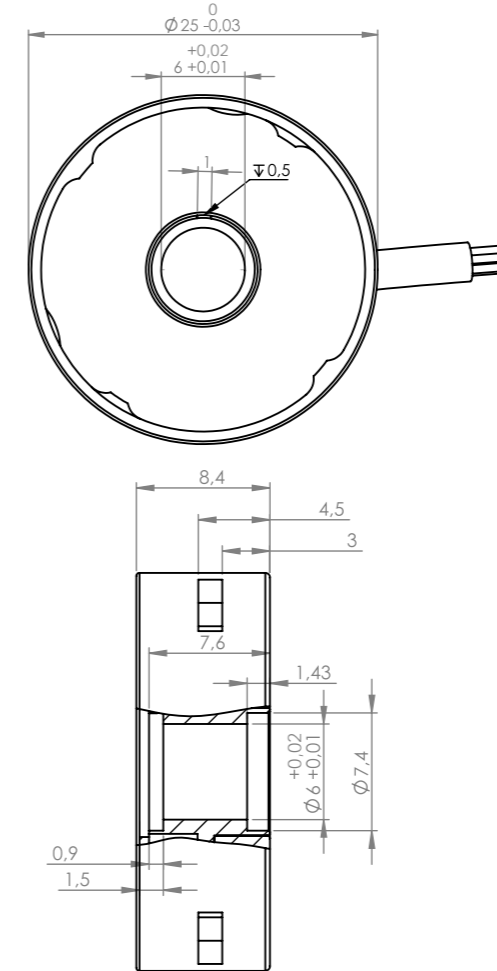
Voltage supply	4.75VDC to 5.5VDC
Protection:	Output short circuit protection. Reverse polarity protection ( except 5V version )
Consumption w/o load	60 mA (24 VDC)
Resolution (steps/turn)	up to 65536
Reference signal	Zero pulse, width 90° 180°, 360° optional
Optoelectronic life time	100.000 (min)
Output frequency	<300 kHz
Output signals	90° shifted A and B, Z + inverted
Output circuit	Linedriver/RS422 Push-pull short-circuit proof
Interference immunity	DIN EN 61000-6-2
Emitted interference	DIN EN 61000-6-4
Approval	CE

### Technical data - mechanical design

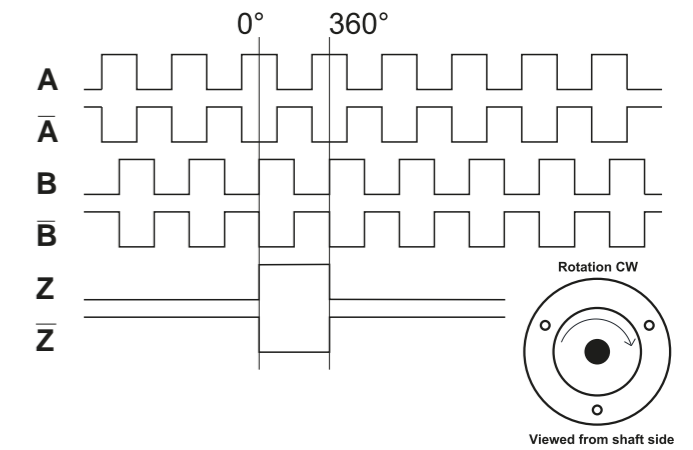
Dimensions (flange)	ø25 mm
Shaft loading	80 N axial 100 N radial
Protection DIN EN 60529	IP54, IP65
Operating speed	10000 rpm
Starting torque	0.025 Nm (IP 67)
Materials	Housing: Aluminum Flange: Aluminum Shaft : Stainless steel
Shaft diameter:	06 mm ( other diameters on request )
Bearings lifetime:	2x10 <sup>9</sup> rev. at 100% of full rated shaft load (minimum)
Operating temperature	-40...+85°C
Storage temperature	-40 °C up to +90 °C
Weight approx.	150 g

## FNC TI 2506 Series

### Mechanical Dimensions



### Pulse Diagram



### Cable Wiring

Function	Color	Renk	Explanation
+VB	Brown	Kahve	Supply Voltage
GND	White	Beyaz	Ground
A	Green	Yeşil	A Channel
A'	Red	Kırmızı	A Inverted Channel
B	Yellow	Sarı	B Channel
B'	Pink	Pembe	B Inverted Channel
Z	Gray	Gri	Z Channel
Z'	Blue	Mavi	Z Inverted Channel
Shield	Black	Siyah	Shield

### Encoder Part Number

