

Hollow Shaft Optical Absolute Encoders

FNC TASO 40HBK3 Series



Features

- SSI or BISS Interface Rotary Encoder
- Optical sensing
- Resolution up to 21 bit
- 40 mm diameter body
- 10 mm diameter hollow shaft

Technical data - Mechanical Ratings

Dimensions:	40 mm
Shaft Diameter:	6, 8, 10 mm
Materials:	Housing: Aluminium Shaft : Stainless Steel
Weight:	21 gr
Operating Temperature	-40 to +85°C

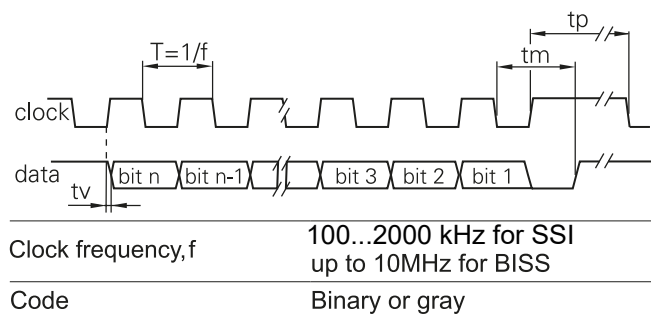
Technical data - Electrical Ratings

Supply Voltage:	5V DC \pm 5%
Interface:	SSI or BISS
Resolution (steps/turn):	up to 21 bit
Absolute accuracy:	\leq 60 arcsec
Code :	Gray or binary
Protection:	Reverse voltage protection Over voltage protection

Cable Wiring

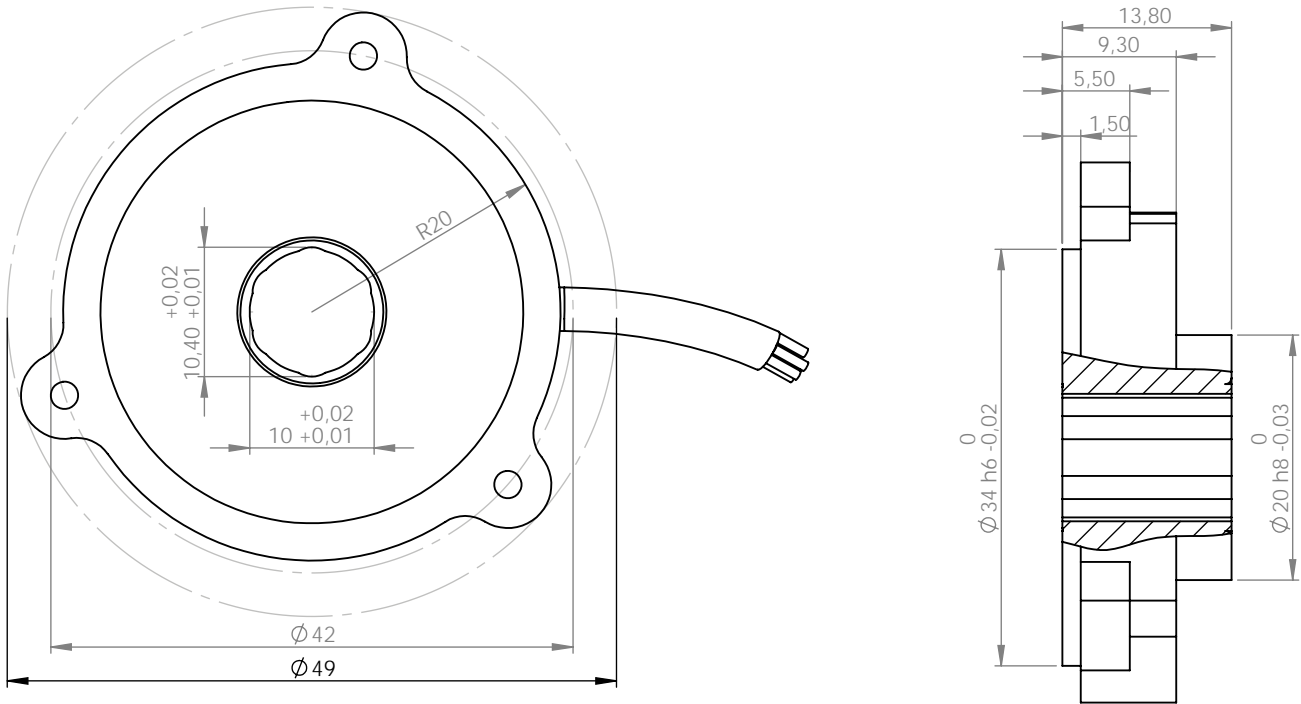
Function	Color	Renk
+5V	Brown	Kahverengi
GND	White	Beyaz
Clock+	Blue	Mavi
Clock-	Gray	Gri
Data+	Orange	Turuncu
Data-	Pink	Pembe

Pulse Diagram



FNC TASO 40HBK3 Series

Mechanical Dimensions



Part Number

FNC TASO 40 HBK3 10 S21 5V B - R02

TASO : Thin Absolute SSI Optical
TABO : Thin Absolute BiSS Optical

Housing
40 : 40 mm

6 : flat 6 mm
8 : flat 8 mm
10 : flat 10 mm

Electrical Connections:

R02 : radial 20 cm, shield not connected (standart)

B : Binary **G** : Gray

Supply Voltage and output circuit :

5V : 5V in / out

Singleturn resolution

S : Single Turn
up to 21 bit