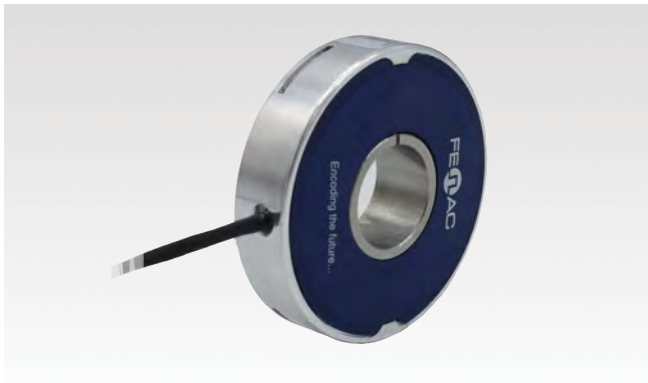


FNC TASO 58 Series



Features

- SSI or BISS interface
- Optical sensing
- Resolution up to 21 bit
- 58 mm diameter body
- 20 mm diameter hollow shaft
- Hollow shaft production
- Very low weight

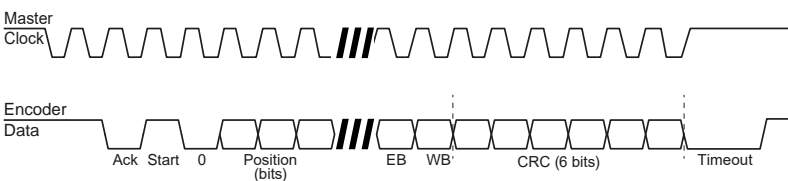
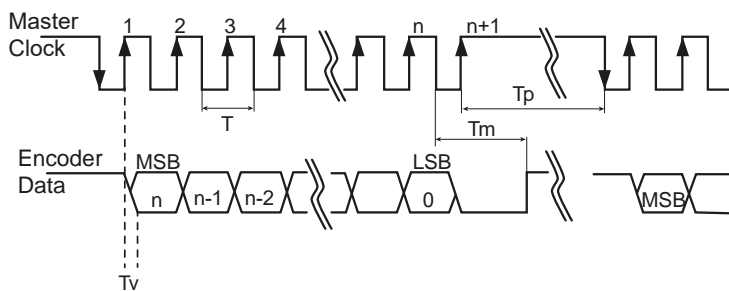
Technical data - Mechanical Ratings

Dimensions	58 mm
Shaft Diameter	20 mm
Materials	Housing : Aluminium Shaft : Stainless Steel
Weight	See page 4
Operating Tem.	-40 to +85 °C

Technical data - Electrical Ratings

Supply Voltage	5V
Interface	SSI or BISS
Protection	Reverse voltage protection Over voltage protection
Resolution (steps/turn)	up to 21 bit
Absolute accuracy	$\leq \pm 0.02^\circ$ after fine calibration

Pulse Diagram SSI / BISS



Symbol Description

Symbol	Description
n	Total number of data bits
T	Clock Period
$f = 1/T$	Clock frequency
T_v	Bit update time
T_p	Pause time
T_m	Monoflop time

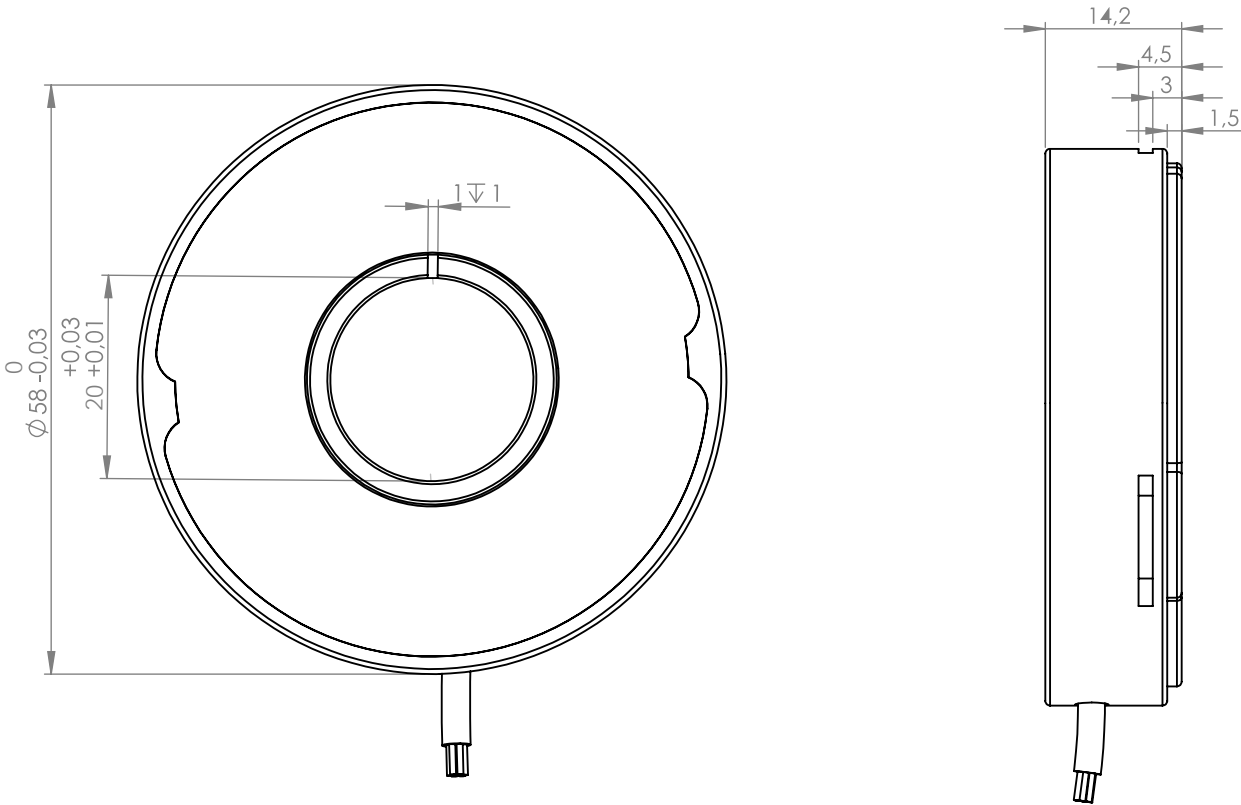
SSI DESCRIPTION

ACK	Absolute position one clock cycle
Start	Encoder signal for "start" data transmit
"0"	Start with follower
AP	Absolute position data
EB	Error bit
WB	Warning bit
CRC	Cyclic redundancy check
Timeout	Elapse between the sequential "start" request cycle's

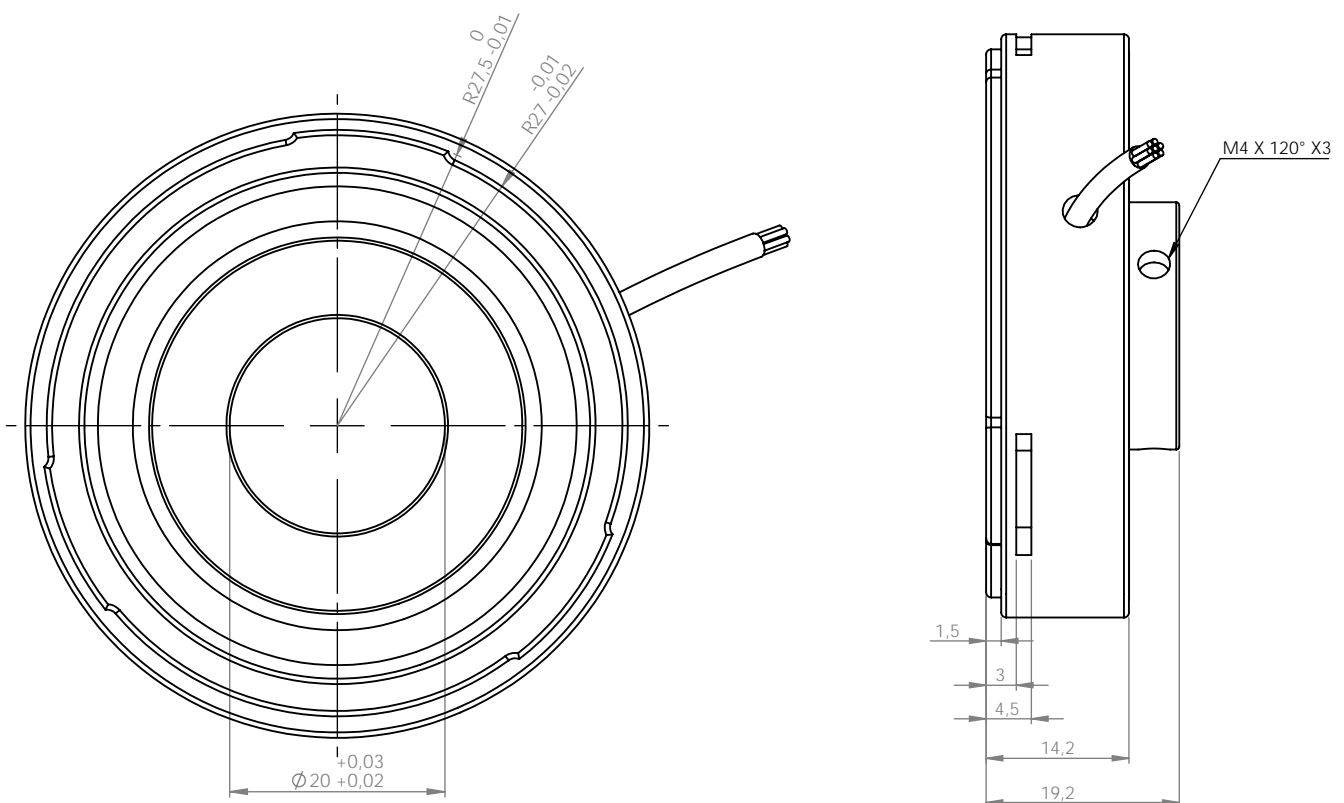
BISS DESCRIPTION

Mechanical Dimensions - Single Bearing

Side Fixing from housing (SF) - Rove (R) Fixing from shaft version



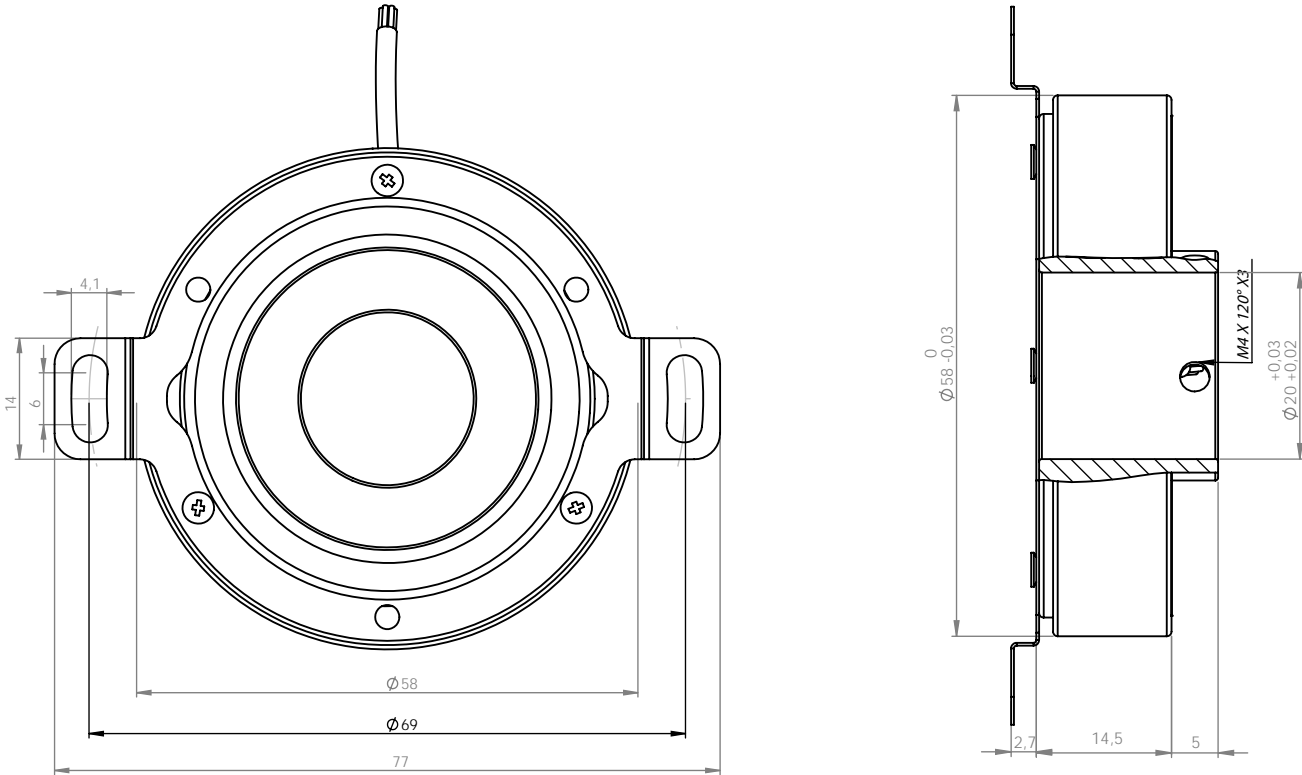
Side Fixing (SF) from housing - PCB Side Setscrew (PS)



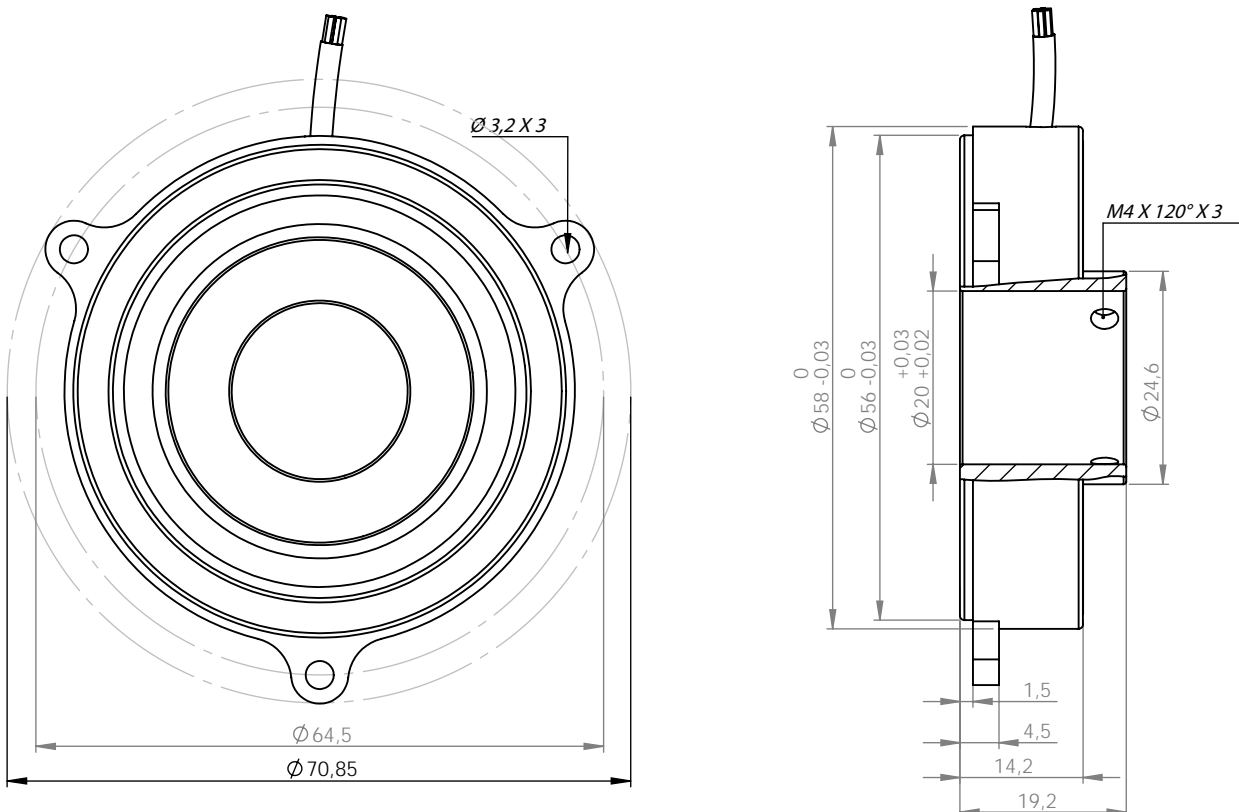
FNC TASO 58 Series

Mechanical Dimensions - Single Bearing






Spring (SP2) fixing from housing -PCB Side Setscrew (PS)



Ear(K) fixing from housing - PCB Side Setscrew (PS)



Cable Wiring

Function	Color	Renk
+5V	 Brown	Kahverengi
GND	 White	Beyaz
Clock+	 Blue	Mavi
Clock-	 Blue-Black	Mavi-Siyah
Data+	 Orange	Turuncu
Data-	 Orange-Black	Turuncu-Siyah

Part Number

FNC TASO SF R 58 15 S18 5V B - R02

TASO : Thin Absolute SSI Optical
TABO : Thin Absolute BiSS Optical

Montage Options - Housing Side

SF : Side Fixing
SP2 : Spring Option 2
K : Ear

Montage Options - Shaft Side

R : Rove
PS : PCB Side Setscrew

Housing

58 : 58 mm

Electrical Connections:

R02 : radial 20 cm, shield not connected (standart)

B : Binary **G** : Gray

Supply Voltage and output circuit :

5V : 5V in / out

Output Channels

S : Single Turn
up to 21 bit

Shaft diameter

12,7 (0,5"), 14, 15, 16, 20 mm (others on request)