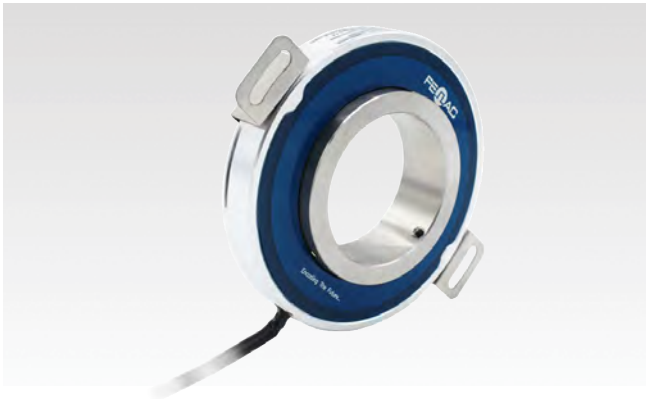


FNC TASO 90 Series



Features

- SSI or BISS interface
- Optical sensing
- Resolution up to 21 bit
- 90 mm diameter body
- 50 mm diameter hollow shaft
- Hollow shaft production
- No friction bearingless design
- Very low weight
- Maximum operation speed 50.000 rpm

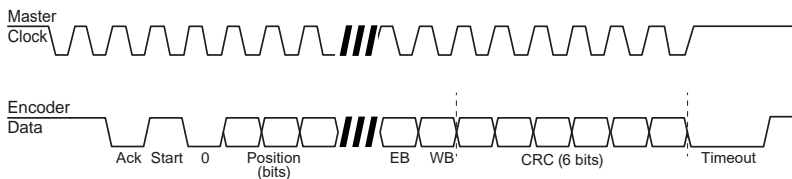
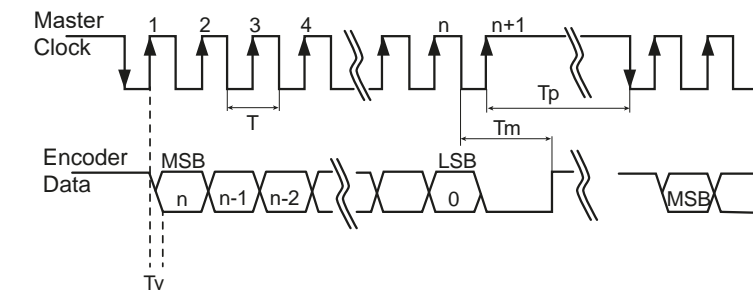
Technical data - Mechanical Ratings

Dimensions	90 mm
Shaft Diameter	50 mm
Materials	Housing : Aluminium Shaft : Stainless Steel
Operating Tem.	-40 to +85 °C

Technical data - Electrical Ratings

Supply Voltage	5V - 36 VDC \pm 5%
Interface	SSI or BISS
Protection	Reverse voltage protection Over voltage protection
Resolution (steps/turn)	up to 21 bit
Absolute accuracy	$\leq \pm 0.02^\circ$ after fine calibration

Pulse Diagram SSI / BISS



Symbol Description

Symbol	Description
n	Total number of data bits
T	Clock Period
$f = 1/T$	Clock frequency
T_v	Bit update time
T_p	Pause time
T_m	Monoflop time
ACK	Absolute position one clock cycle
Start	Encoder signal for "start" data transmit
"0"	Start with follower
AP	Absolute position data
EB	Error bit
WB	Warning bit
CRC	Cyclic redundancy check
Timeout	Elapse between the sequential "start" request cycle's

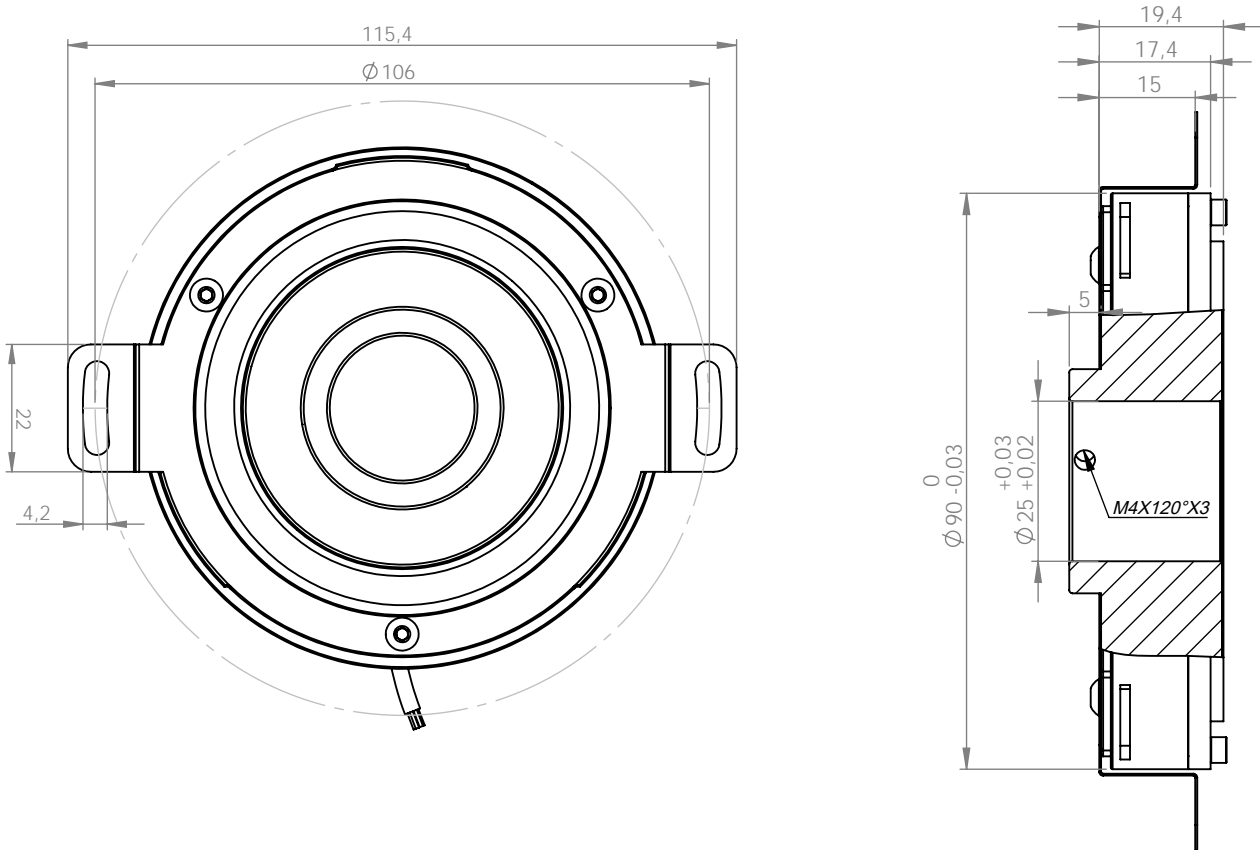
SSI DESCRIPTION

BISS DESCRIPTION

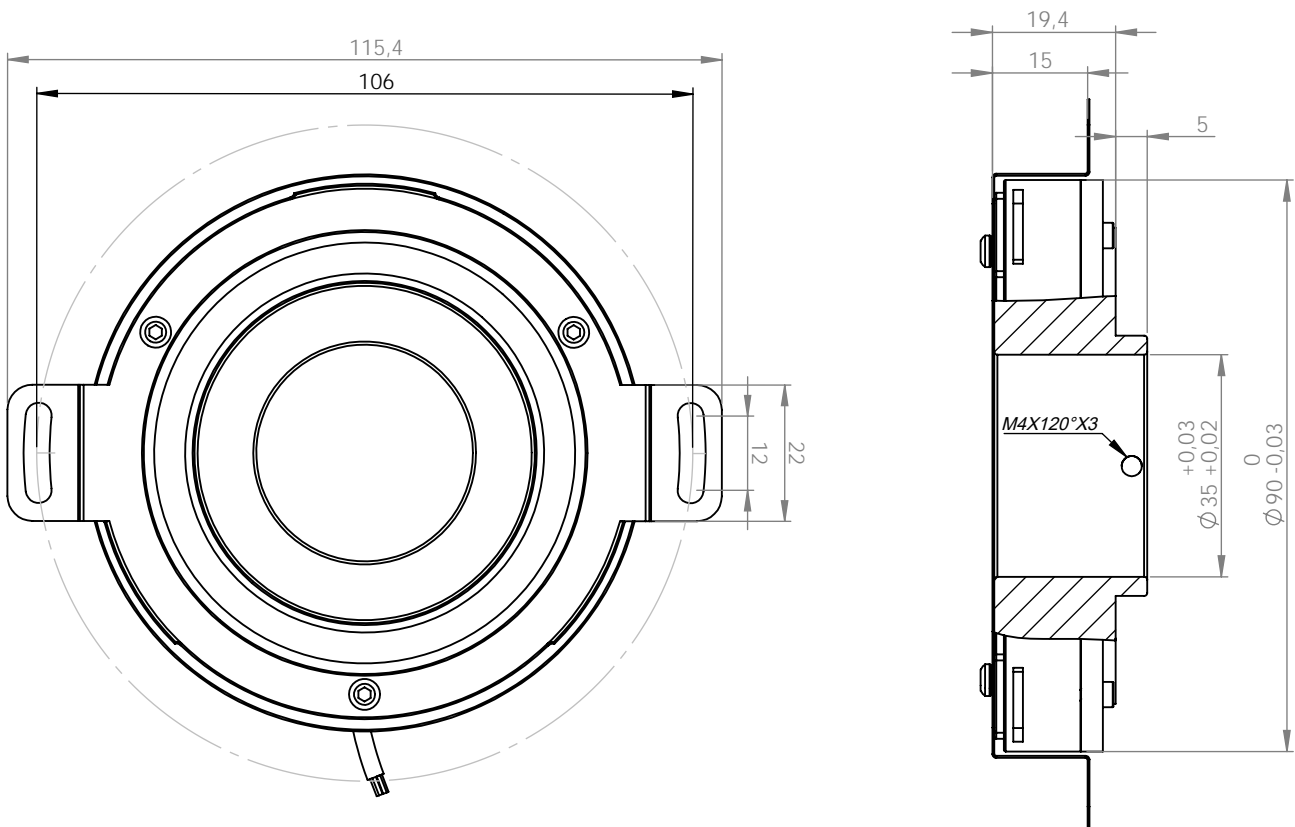
FNC TASSO 90 Series

Mechanical Dimensions

Spring (SP) fixing from housing - Bearing Side Setscrew (BS) Fixing with Seal & Cover

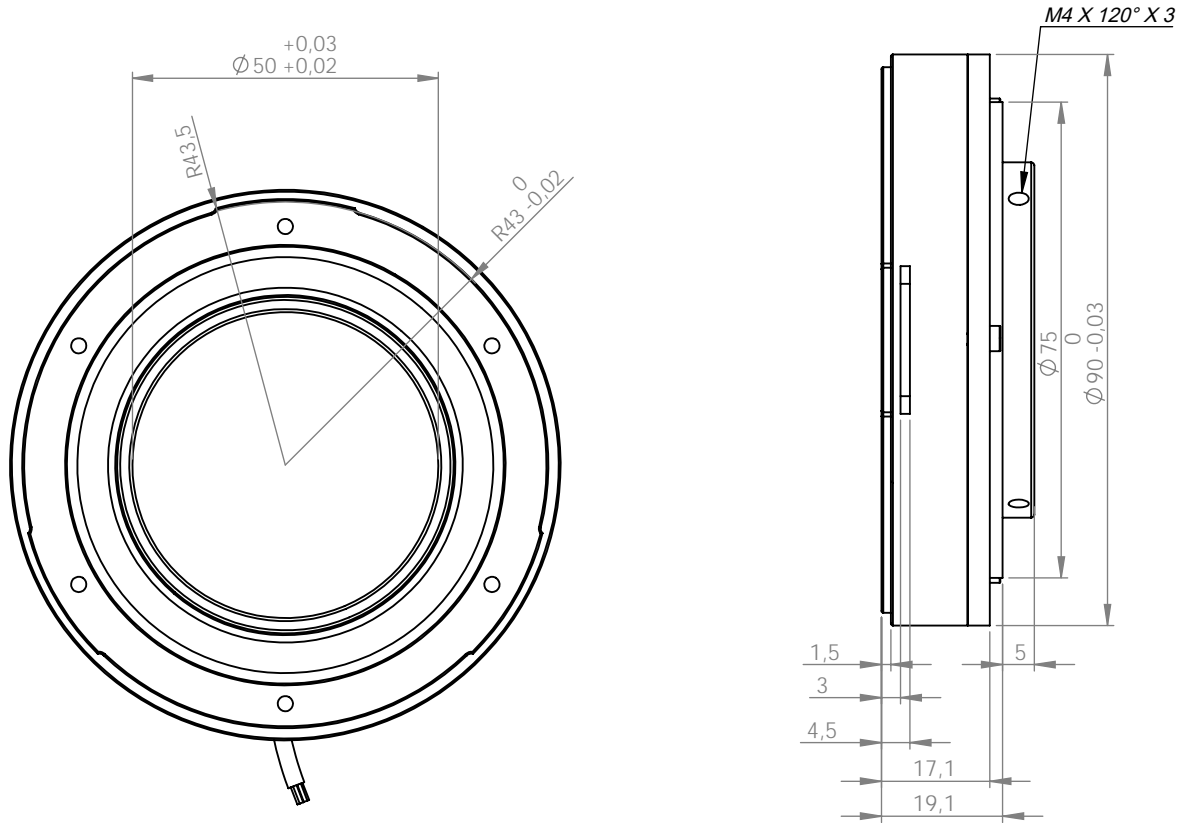


Spring (SP) fixing from housing - Cover Side Setscrew (CS) Fixing with Seal & Cover

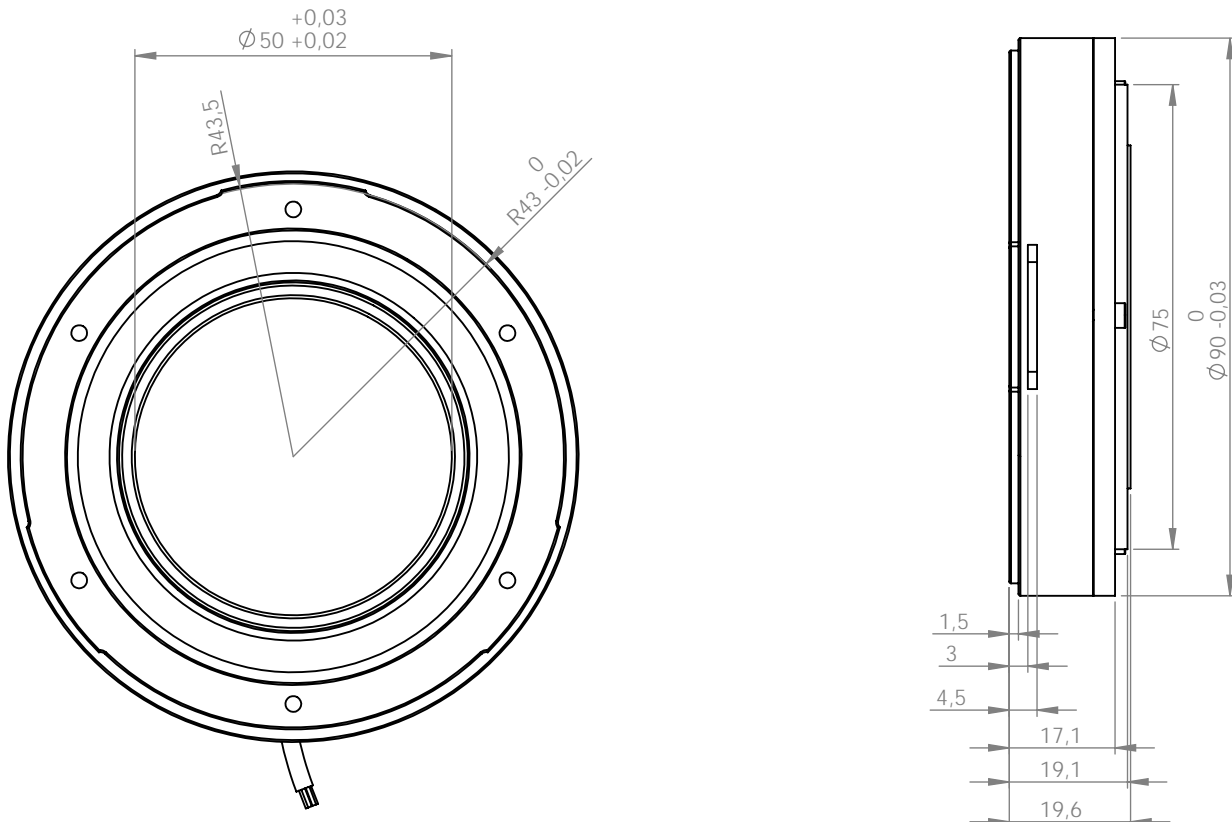


Mechanical Dimensions





Side Fixing from housing (SF) - Cover Side Setscrew (CS) Fixing with Seal & Cover



Side Fixing from housing (SF) - Rove (R) Fixing from shaft version



Cable Wiring

Function	Color	Renk
+5V	 Brown	Kahverengi
GND	 White	Beyaz
Clock+	 Blue	Mavi
Clock-	 Blue-Black	Mavi-Siyah
Data+	 Orange	Turuncu
Data-	 Orange-Black	Turuncu-Siyah

Mechanical Dimensions

