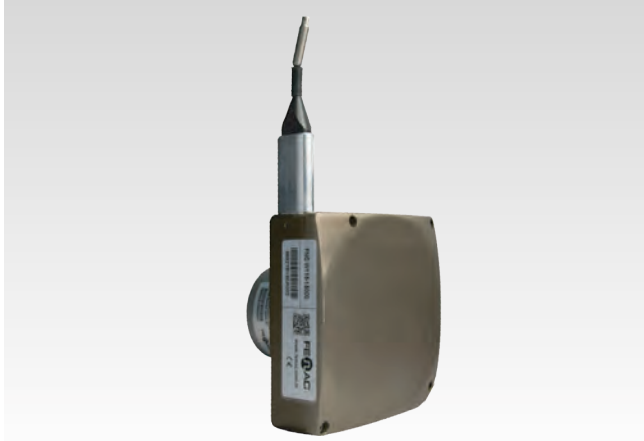


Fenac Draw-Wire Sensor

Length up to 13,500 mm



FNC W115 Series



Features

- Measurement length up to 13,500 mm
- Robust aluminum housing
- Very compact design
- Protection to IP54
- Wire-actuated mechanism for all rotary encoders with 58mm servo flange and different signal outputs
- Drum circumference is 300 mm
- Linearity is $\sim \pm 0,35\%$

Technical data

Material	Housing: aluminum Wire: 7x7 pvc coated 304 stainless steel
Wire length	0 - 13,500 mm
Wire diameter	1 mm
Wire retraction	4 - 5 N
Drum circumference	300 mm
Drum width	18 mm
Drum wire winding number	Max.18
Wire dimensions (Thickness x Width)	0.3 x 12 mm
Protection class	IP54
Temperature range	20 ... +80°C
Approval	CE

SYSTEM ENCODERS



FNC 58S Series



Analog

FNC MT 58S Series



FNC ASO 58S Series



FNC AC 58S 3M12 Series

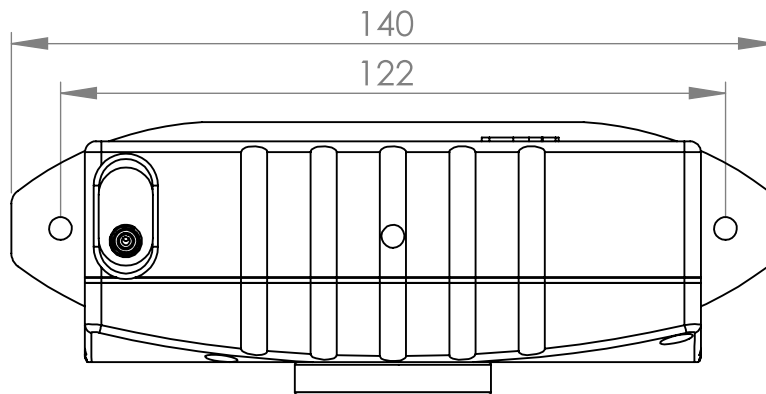
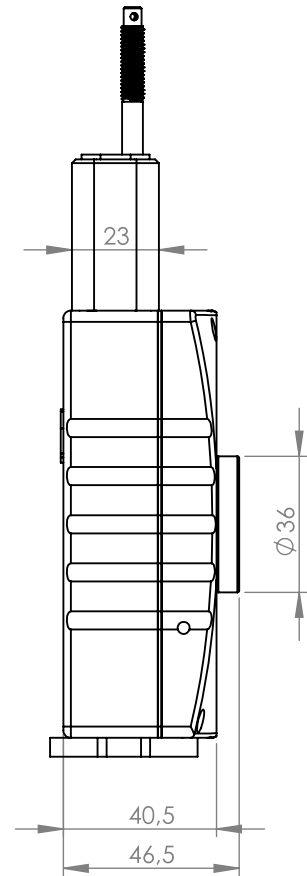
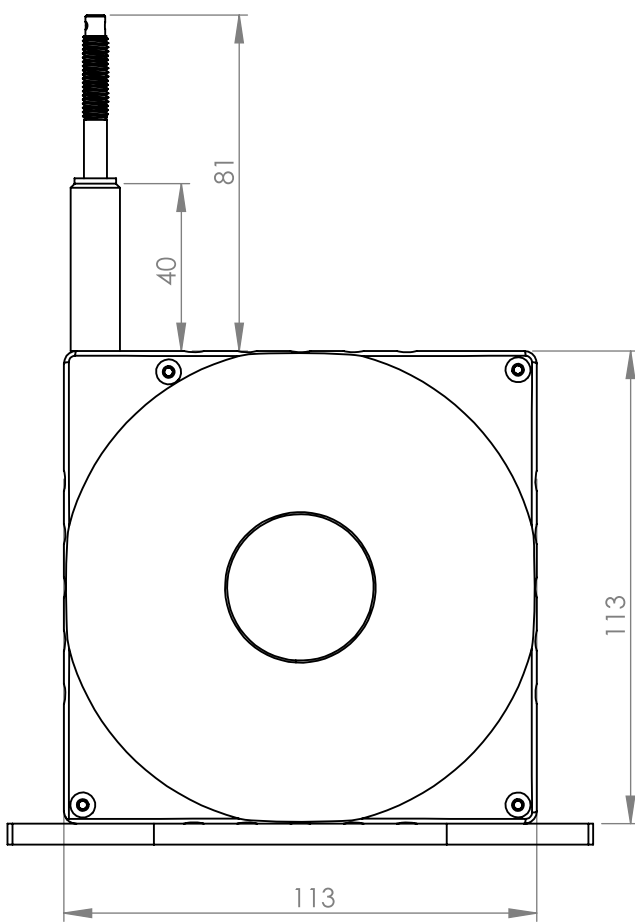


FNC AC 58S Buscover Series



FNC W115 Series

Mechanical dimensions



Fenac Draw-Wire Sensor

Length up to 13,500 mm

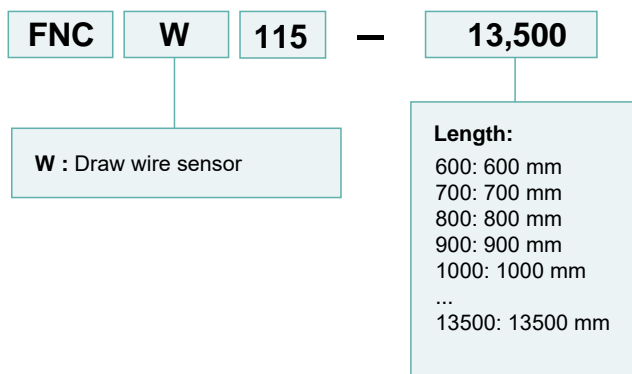
FNC W115 Series

Draw Wire Units Comparison Table

Specifications	W55 Series	W80 Series	W100 Series	W100 PRO Series	W115 Series	W115 PRO Series	W120 Series
Wire Length	0 - 3,000 mm	0-6,000 mm	0 - 10,000 mm	0 - 12,000 mm	0 - 13,500 mm	0 - 13,500 mm	0 - 20,000 mm
Wire Diameter	0.5 mm	0,8 mm	1 mm	1 mm	1 mm	1 mm	1 mm
Spring Return Force	3.5 - 5 N ¹⁾	6 -7.5 N ¹⁾	4 - 5 N ¹⁾	7 - 10 N ¹⁾	4 - 5 N ¹⁾	6 - 8.5 N ¹⁾	7 - 9 N ¹⁾
Drum Circumference	125 mm	200 mm	250 mm	250 mm	300 mm	300 mm	350 mm
Drum Width	10 mm	18 mm	18 mm	40 mm	18 mm	26 mm	30 mm
Drum Wire Winding Number	Max. 20	Max. 22	Max. 18	Max. 40	Max. 18	Max. 26	Max. 30
Wire Dimensions (Thickness x Width)	0.15 x 10 mm	0.25 x 10 mm	0.25x 12 mm	0.2 x 20 mm	0.3 x 12 mm	0.3 x 18 mm	0.2 x 20 mm

1) These values were measured at an ambient temperature of 25 °C. There may be variations at other temperatures.

Part number



** Please order the encoder separately.

** This code table can only be used for the selection of the wire unit.