

# Fenac Draw-Wire Sensor

Length up to 3000 mm



## FNC W55 Series



### Features

- **Measurement length up to 3000 mm**
- **Robust aluminum housing**
- **Very compact design**
- **Protection to IP54**
- **Wire-actuated mechanism for all rotary encoders with 58mm servo flange and different signal outputs**
- **Drum circumference is 125 mm**
- **Linearity is  $\sim \pm 0,35 \%$**

### Technical data - electrical ratings

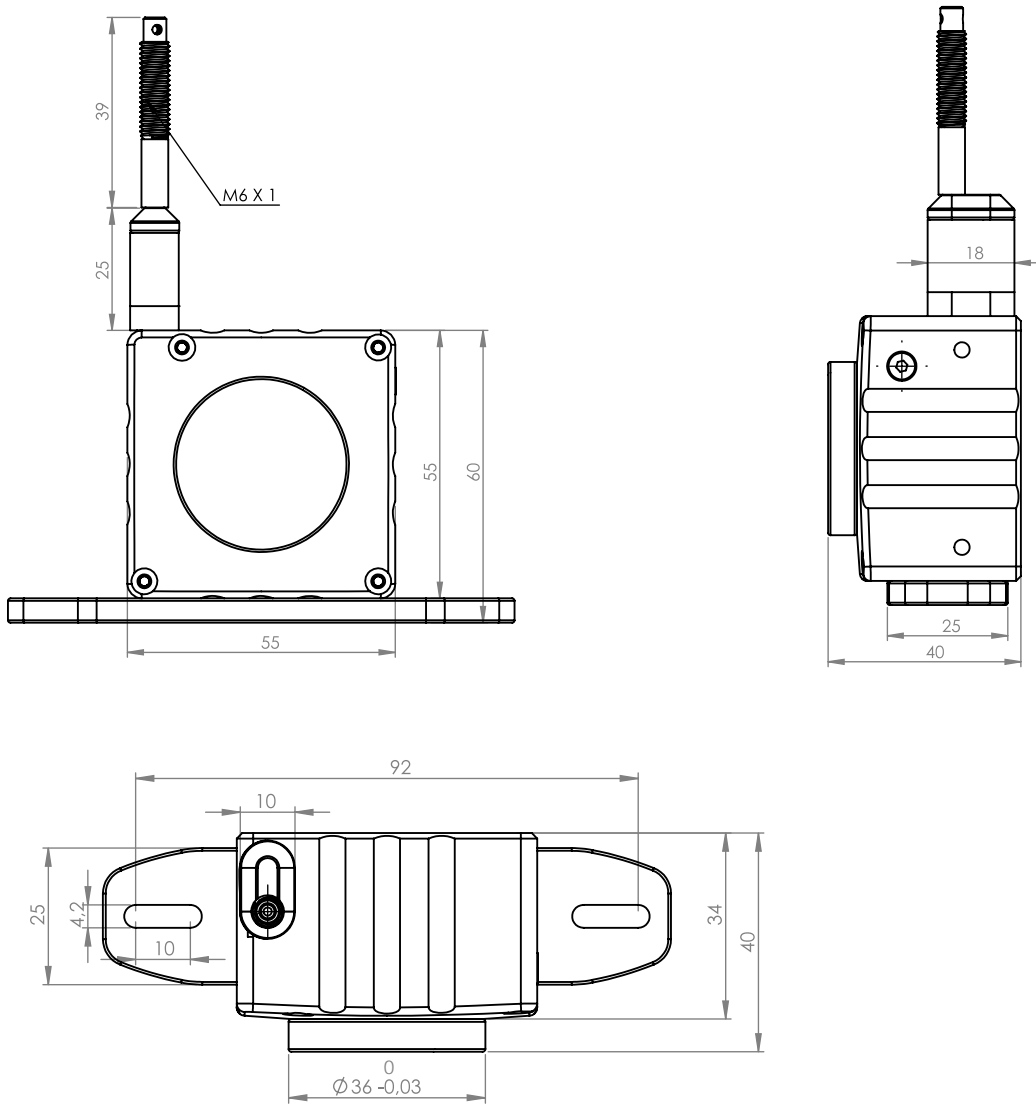
Measuring range	0 - 1000mm
Resolution	customer specific
Sensor element	Incremental, analog, absolute, CANopen etc.
Temperature range	20 °C ..... +80 °C

### Technical data - mechanical design

Material:	housing:	aluminium
	draw-wire:	7x7 pvc coated 304 stainless steel ( $\varnothing$ 0.8mm)
Wire acceleration		approx. 5g
Wire retraction		approx. 1N
Wire extension		1,5N
Protection class		IP54
Max speed		2m/s

## FNC W55 Series

### Mechanical dimensions



### Part number

**FNC** **W** **55** — **3000**

**W** : Draw wire sensor

**Length:**  
 600: 600 mm  
 700: 700 mm  
 800: 800 mm  
 900: 900 mm  
 1000: 1000 mm  
 ...  
 3000: 3000 mm

\*\* Please order the encoder seperately.

\*\* This code table can only be used for the selection of the wire unit.