

Fenac Draw-Wire Sensor

Length up to 5500 mm



FNC W80 Series



Features

- Measurement length up to 5500 mm
- Robust aluminum housing
- Very compact design
- Protection to IP54
- Wire-actuated mechanism for all rotary encoders with 58mm servo flange and different signal outputs
- Drum circumference is 200 mm
- Linearity is $\sim \pm 0,35 \%$

Technical data - electrical ratings

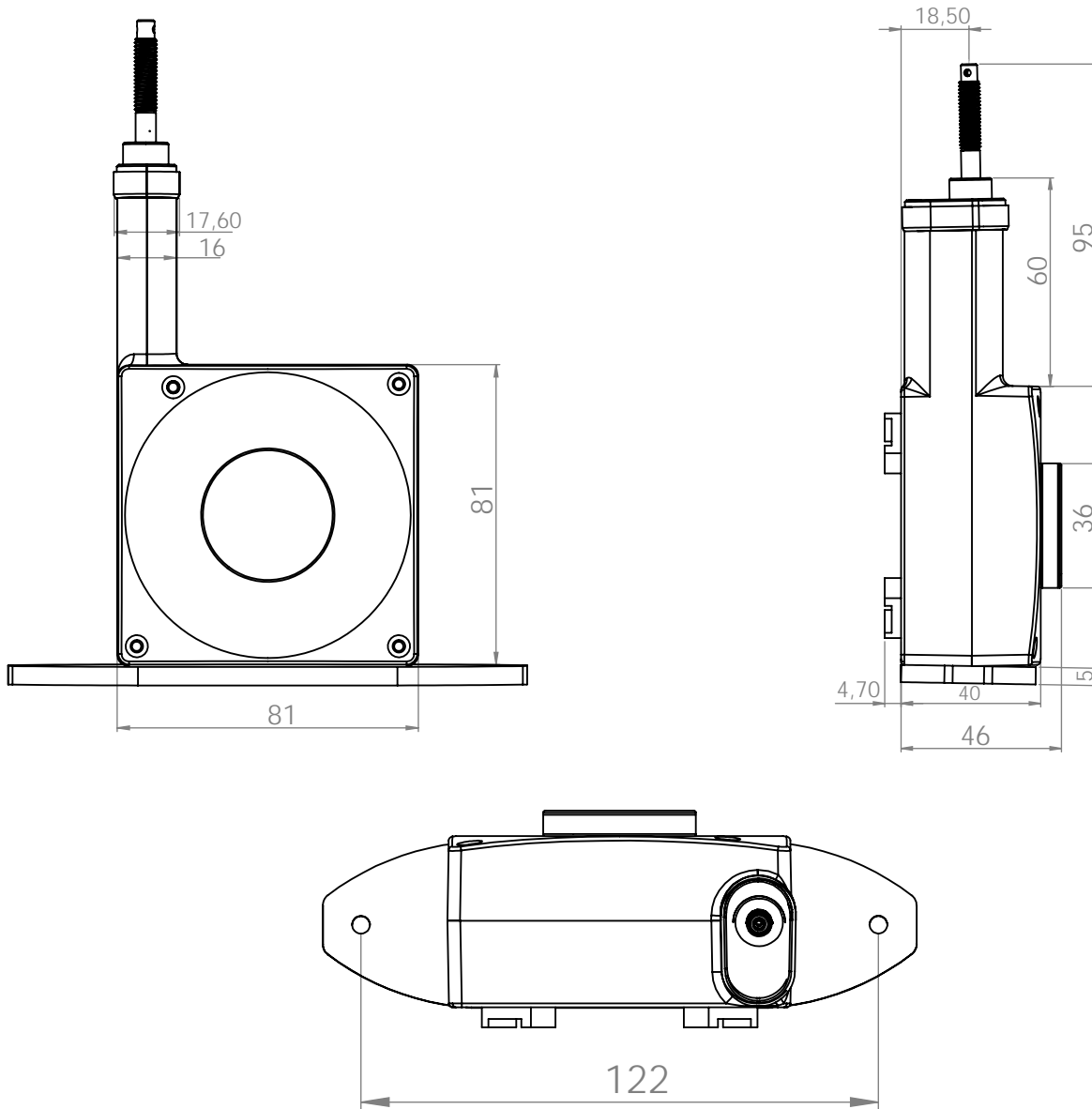
Measuring range	0 - 5500 mm
Resolution	customer specific
Sensor element	Incremental, analog, absolute, CANopen etc.
Temperature range	20 °C +80 °C

Technical data - mechanical design

Material:	housing:	aluminium
	draw-wire:	7x7 pvc coated 304 stainless steel (\varnothing 0.8mm)
Wire acceleration		approx. 5g
Wire retraction		approx. 1N
Wire extension		1,5N
Protection class		IP54
Max speed		2m/s

FNC W80 Series

Mechanical dimensions



Part number

FNC **W** **80** - **5500**

W : Draw wire sensor

Length:
 600: 600 mm
 700: 700 mm
 800: 800 mm
 900: 900 mm
 1000: 1000 mm
 ...
 5500: 5500 mm

** Please order the encoder separately.

** This code table can only be used for the selection of the wire unit.