

Incremental encoders

Programmable Resolution 1...100.000 pulses



FNCPW 58H Series Programmable



Features

- Industry 58 mm standart size,
- Hollow shaft version
- Robust mechanical and electrical construction
- Protection up to IP67
- Up to 100.000 PPR max.
- ≤2 MHz frequency
- Programming vi FNC PT - PC OW Programming tool

PPR Options :

1 to 65.536 ppr for magnetic version
 1 to 100.000 ppr for optical verison
 up to 2.000.000 on request

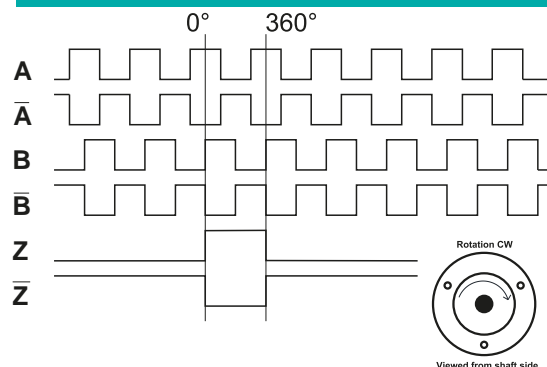
Technical data - electrical ratings

Voltage supply	5 VDC
Protection	Output short circuit protection. Reverse polarity protection Over voltage protection (except 5V version)
Consumption w/o load	≤60 mA (5 VDC)
Reference signal	Programmable length, 90° 180°, 270 , 360°
Output frequency	≤2 MHz
Output signals	90° shifted A and B, Z + all channels can be set indepently inverted
Output circuit	Linedriver/RS422 Push-pull short-circuit proof
Interference immunity	DIN EN 61000-6-2
Emitted interference	DIN EN 61000-6-4
Approval	CE

Technical data - mechanical design

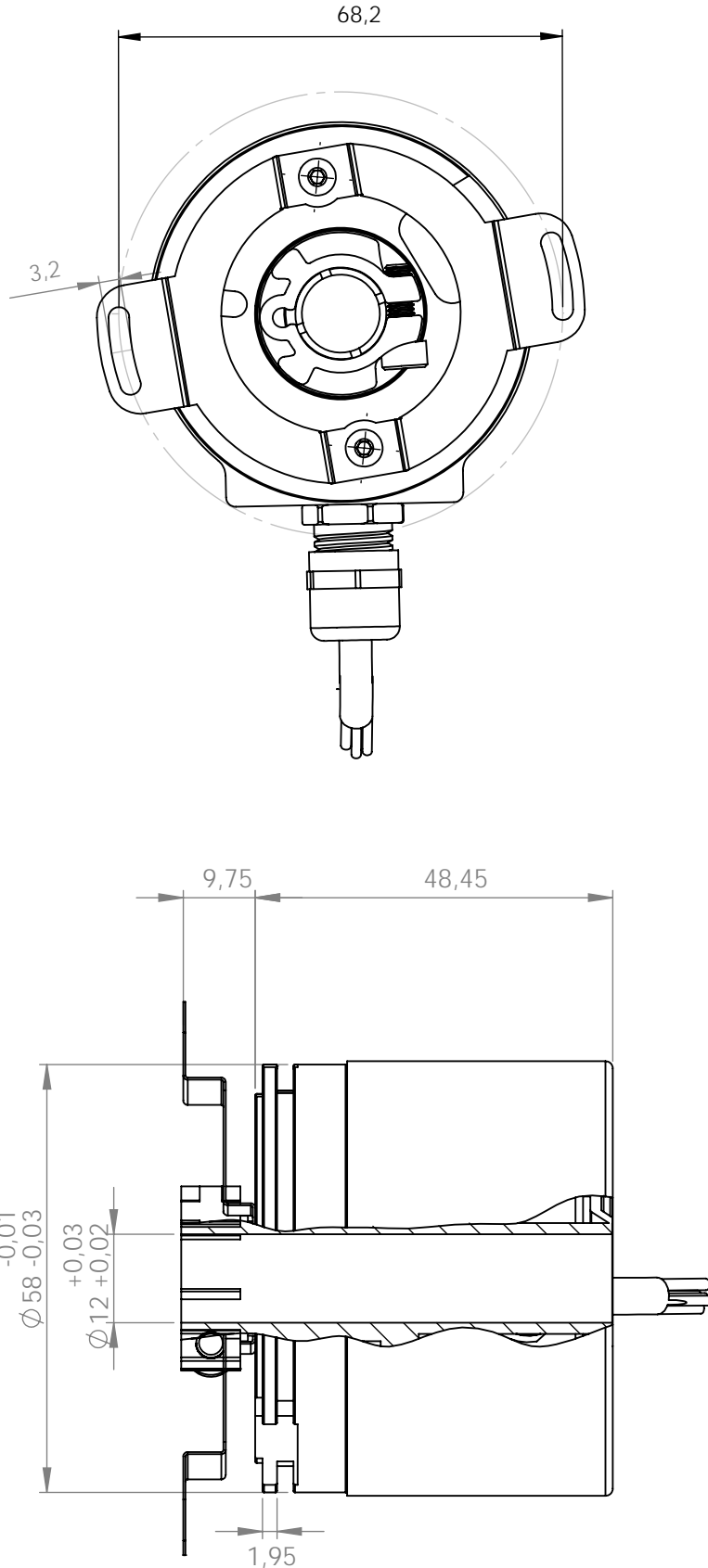
Dimensions (flange)	ø58 mm
Shaft loading	≤140 N axial ≤240 N radial
Protection DIN EN 60529	IP54, IP65
Operating speed	≤12000 rpm
Starting torque	≤0.025 Nm (IP65)
Materials	Housing: Aluminum Flange: Aluminum Shaft : Stainless steel
Shaft diameter	6, 8, 10, 12 mm (other diameters on request)
Bearings lifetime	2x10 ⁹ rev. at 100% of full rated shaft load (minimum)
Operating temperature	-20...+85 °C
Storage temperature	-30 °C up to +90 °C
Weight approx	250 g

Pulse Diagram



FNCPW 58H Series Programmable

Mechanical Dimensions



Incremental encoders

Optical and Magnetic Programming Options



FNCPW 58H Series Programmable

Cable Wiring

Programming Wire

Function	Color	Renk	Farbe	Цвет	颜色	M2312 Connector
+VB	Brown	Kahve	Braun	Коричневый	棕色的	pin 2
GND	White	Beyaz	Weiß	Белый	白色的	pin 10
A	Green	Yeşil	Grün	Зеленый	绿	pin 5
A'	Green-Black	Yeşil-Siyah	Grün-Schwarz	Зелено-черный	绿-蓝色的	pin 6
B	Yellow	Sarı	Gelb	Желтый	黄色的	pin 8
B'	Yellow-Black	Sarı-Siyah	Gelb-Schwarz	Желто-черный	黄色的-蓝色的	pin 1
Z	Gray	Gri	Grau	Серый	灰色的	pin 3
Z'	Gray-Black	Gri-Siyah	Grau-Schwarz	Серо-черный	灰色的-蓝色的	pin 4
PR	Orange	Turuncu	Orange	Оранжевый	橙	pin 11

FNC PT-PCOW Programming Device

No need for additional PC



FNCPW 58HO 10630VX-R2

Programming Device Cable -
Connected to Adaptor

Encoder Part Number

FNCPW **58** **H** **O** **10** **6** **30V** **X** - **R2**

Housing: 58 : 58mm	Electrical Connections: Cable R2 : radial 2m, shield not connected (standart) A2 : axial 2m, shield not connected (standart)
Flange Type H : Hollow Shaft	PPR Options : 1 to 65.536 ppr for magnetic version 1 to 100.000 ppr for optical version up to 2.000.000 on request
O : Optical programmable M : Magnetic programmable	Supply Voltage and output circuit : 5V : 5V in / out
Shaft diameter : 4, 6, 8, 10, 12 Other dimensions on request	
Output Channels 3 : ABZ 4 : AB+A' B' 6 : ABZ+A' B' Z'	