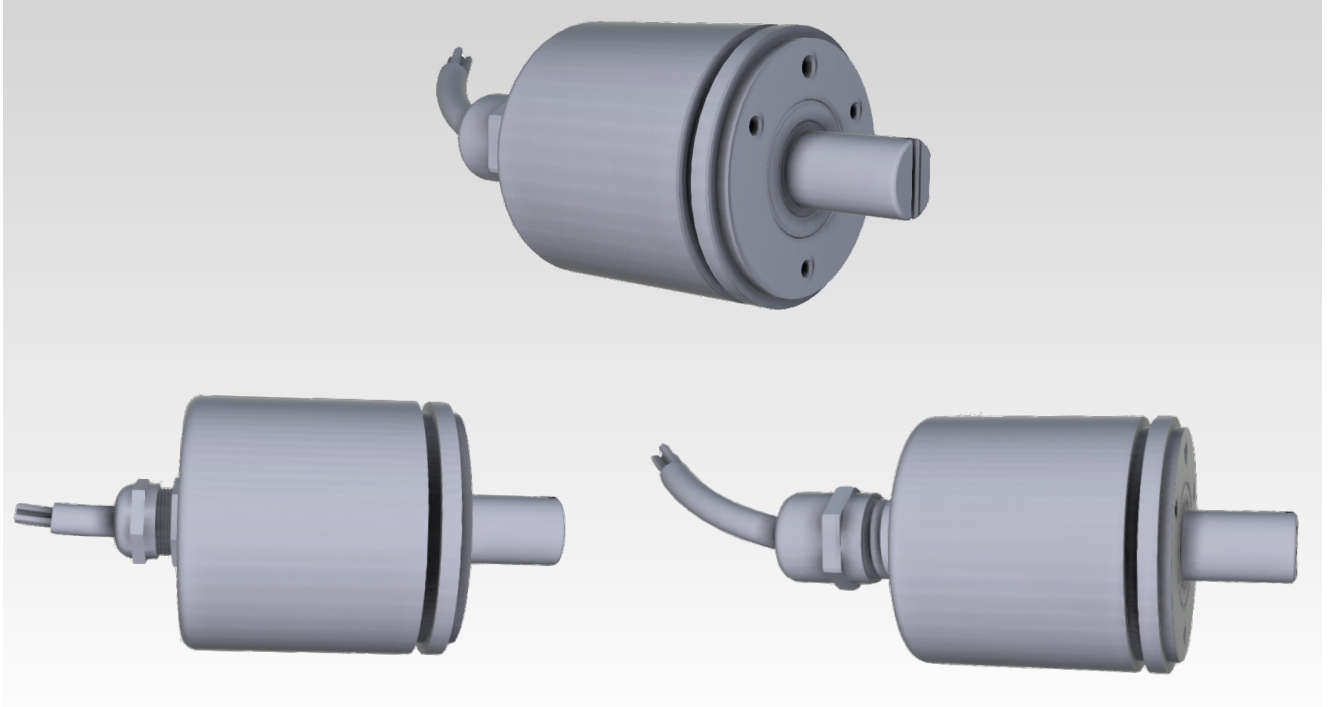


Contactless Rotary Potentiometer

FNC 36SS Series



Features

- Designed for motor feedback applications
- Non-contact magnetic technology
- 36 mm diameter body
- Long life
- Compact dimensions

Applications

Harvester
Fork-lift
Operating table
Hydraulic pump

Technical data - mechanical design

Dimensions	ø36 mm
Materials	Housing: Stainless Steel

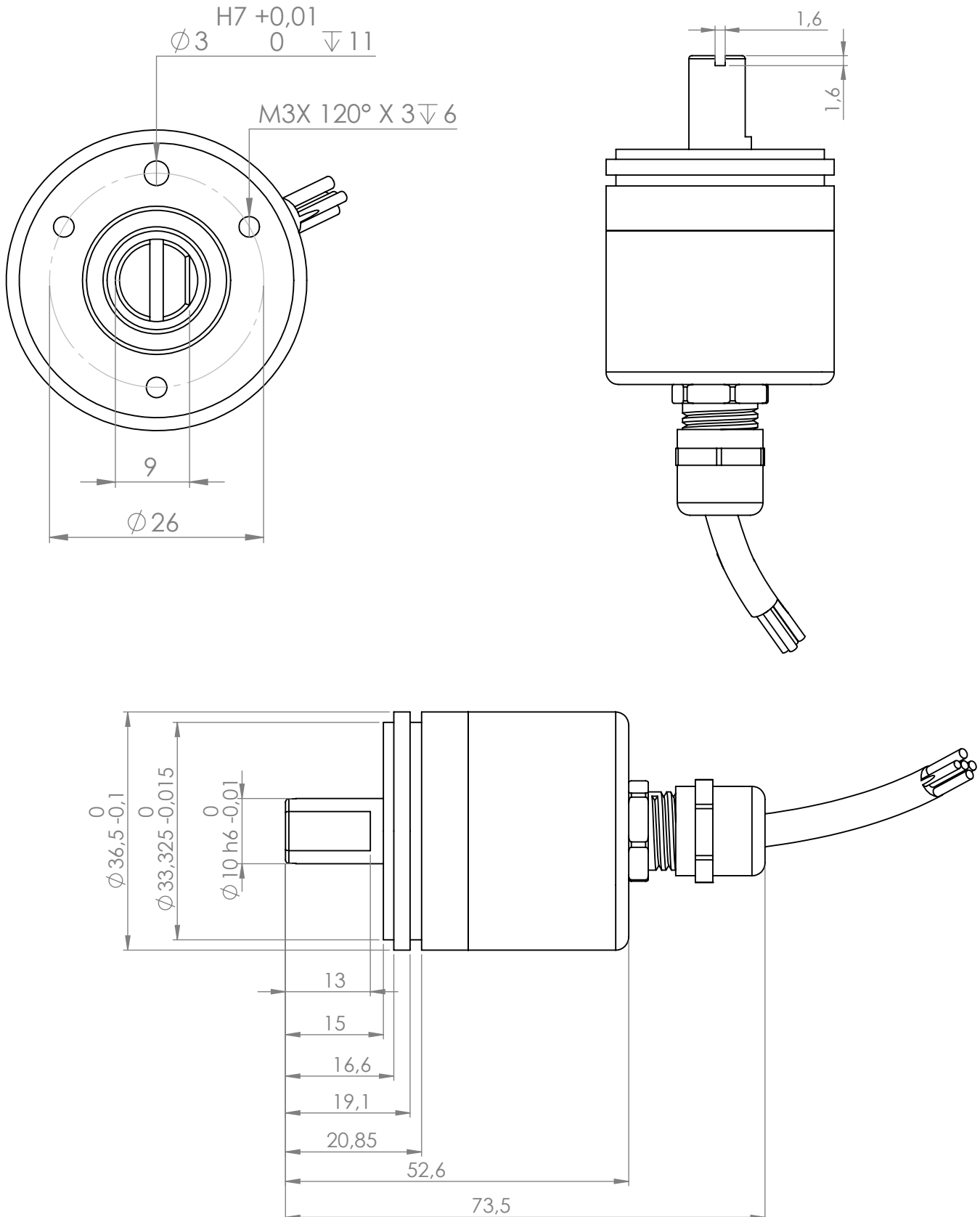
Technical data - electrical ratings

Voltage supply	7.5 - 31VDC ± %5
Resolution (steps/turn) :	One per revolution

Contactless Rotary Potentiometer

FNC 36SS Series

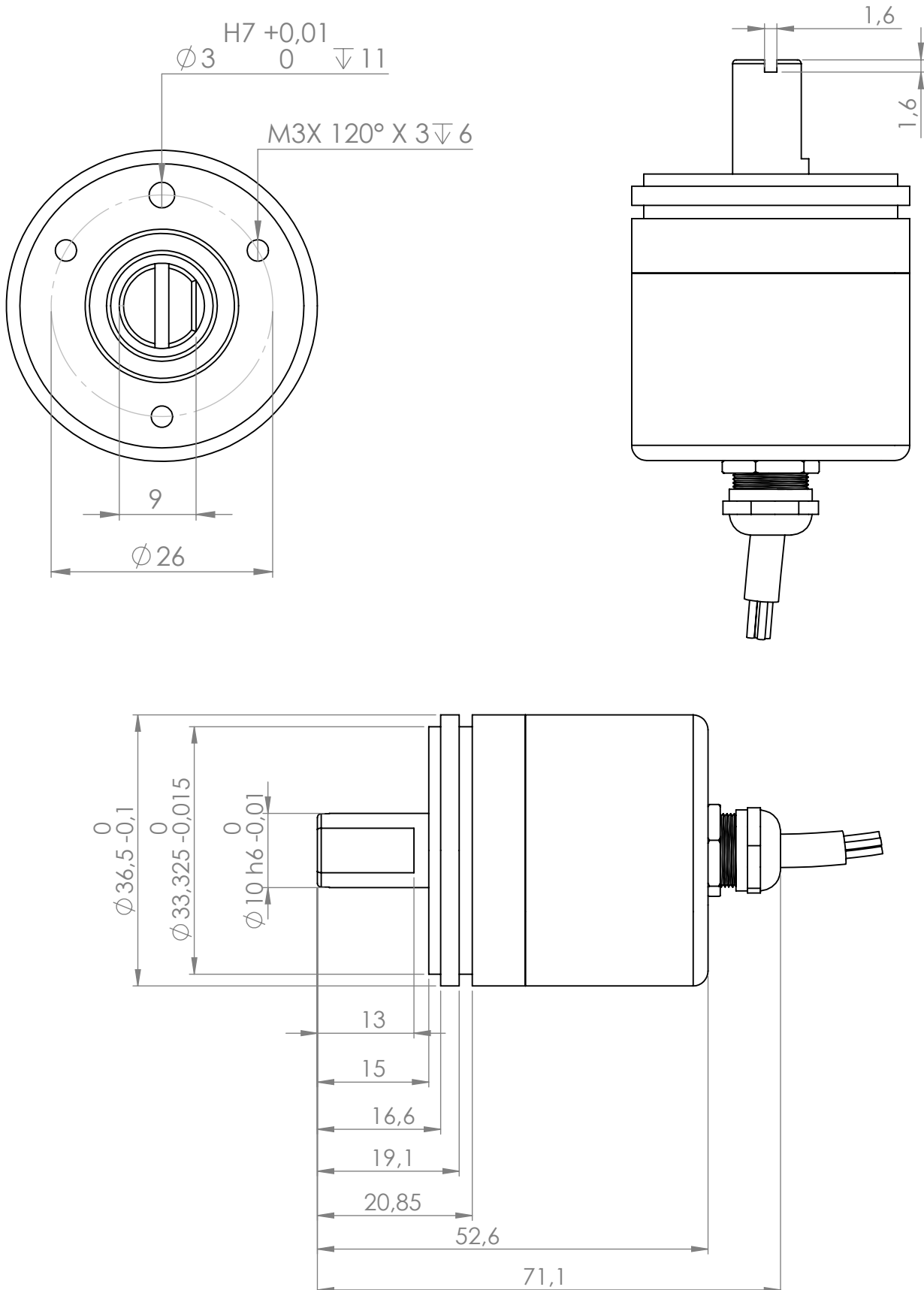
Mechanical Dimensions



Contactless Rotary Potentiometer

FNC 36SS Series

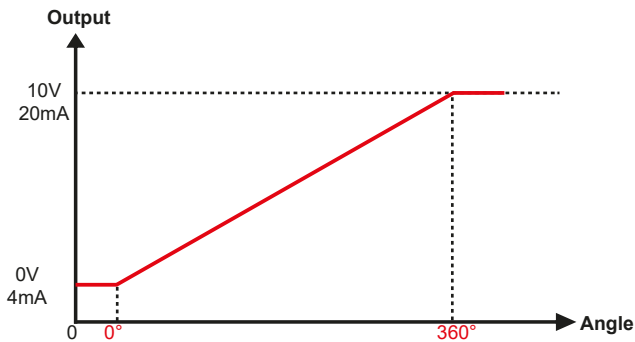
Mechanical Dimensions




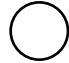


Contactless Rotary Potentiometer

FNC 36SS Series

Pulse Diagram for Analog



Cable Connection for Analog

Function	Color
Supply	 Brown
GND	 White
V	 Green
A	 Red

Encoder Part Number for Analog

