

FNC F229K UVW Series



Features

- Designed for motor feedback applications
- Both A, B, Z incremental and U, V, W commutation signals
- Differential RS 422 incremental output signals.
- Non-contact magnetic technology
- 22 mm diameter body

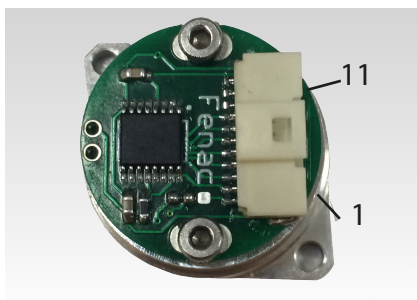
Technical data - electrical ratings

Voltage supply	5VDC \pm %5
Interface	ABZ ; Line Driver RS422 UVW ; (\pm 24 mA output drive)
Resolution (steps/turn) :	up to 4096 CPR
Commutatiton Signals :	up to 16 pole

Technical data - mechanical design

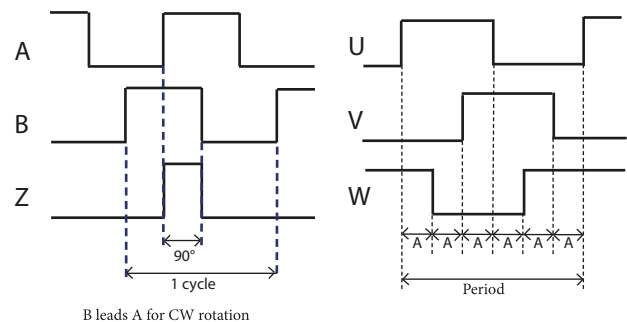
Dimensions	\varnothing 22 mm
Mount Diameter	26 mm
Materials	Housing: Aluminium Cover: Aluminium
Magnet actuator	for integration into 3 mm shaft

Connection



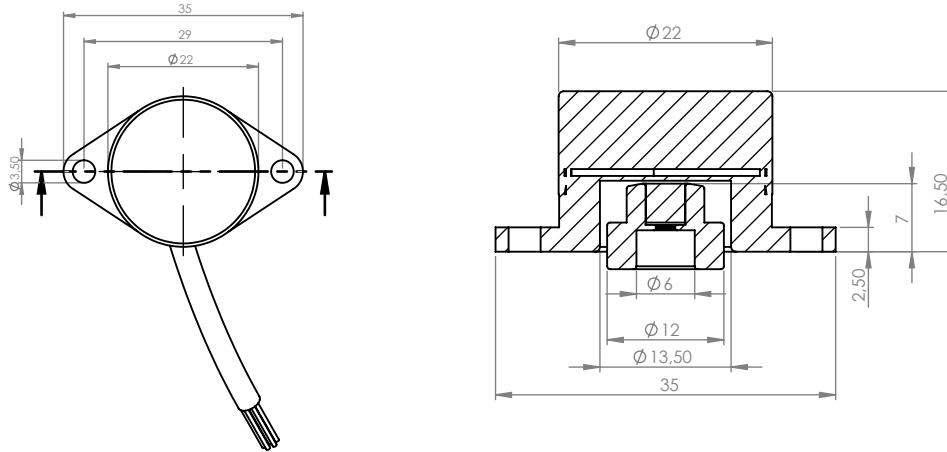
Pin	Function
11	W
10	V
9	U
8	A+
7	A-
6	B-
5	B+
4	Z+
3	Z-
2	+5V
1	GND

Pulse Diagram



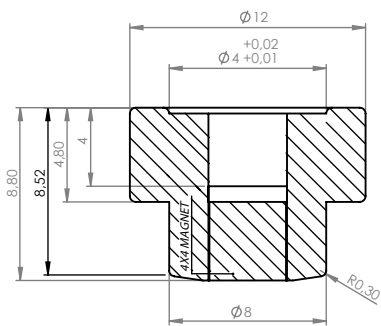
FNC F229K UVW Series

Mechanical Dimensions - Encoder

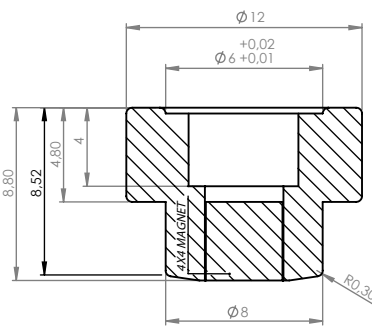


Mechanical Dimensions - Encoder

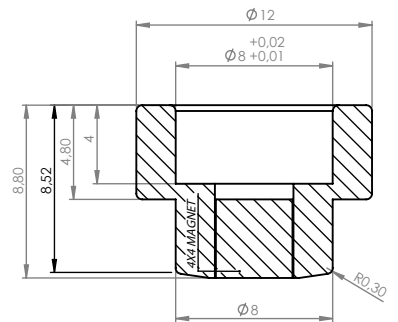
F229MH124



F229MH126



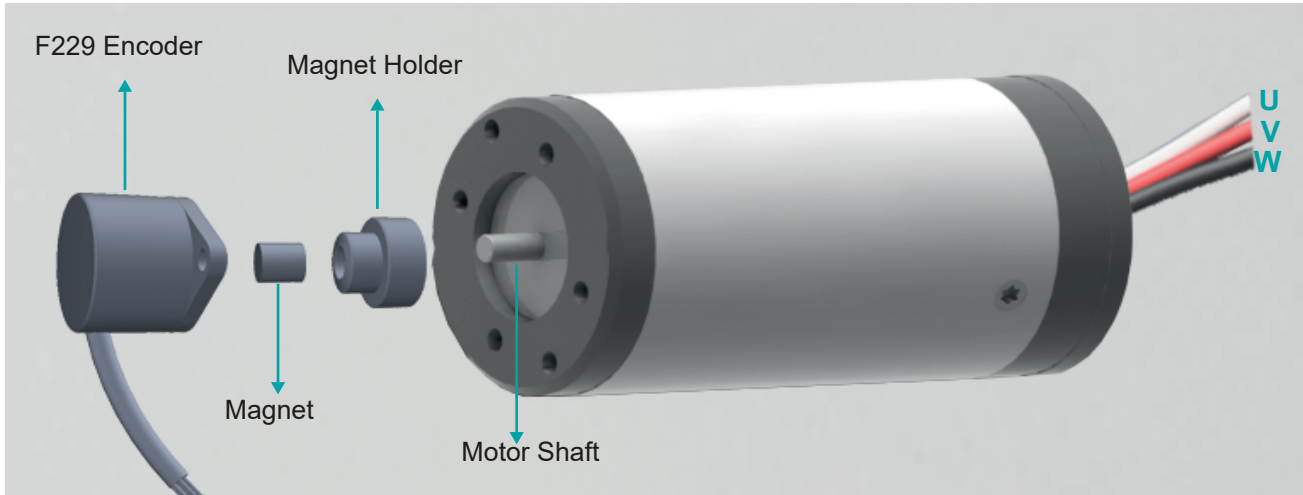
F229MH128



FNC F229K UVW Series

Installation Guide

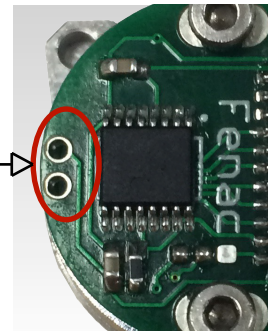
Montage



Zero the UVW signals

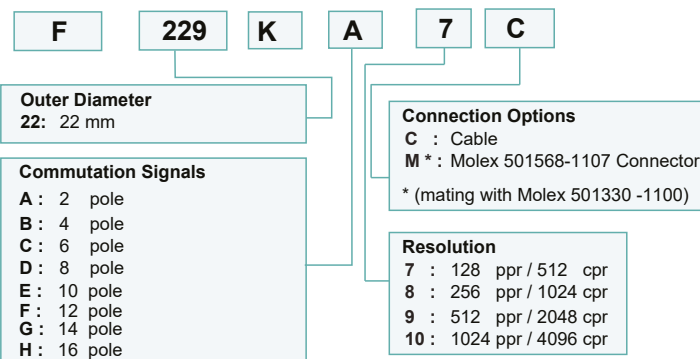
First move the motor to the required zero UVW position. Short together the two zeroing pads.

zeroing pads

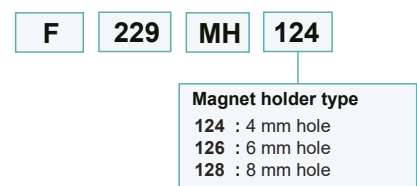


Encoder Part Number

Commutation Version



Magnet Holder



Incremental Version

